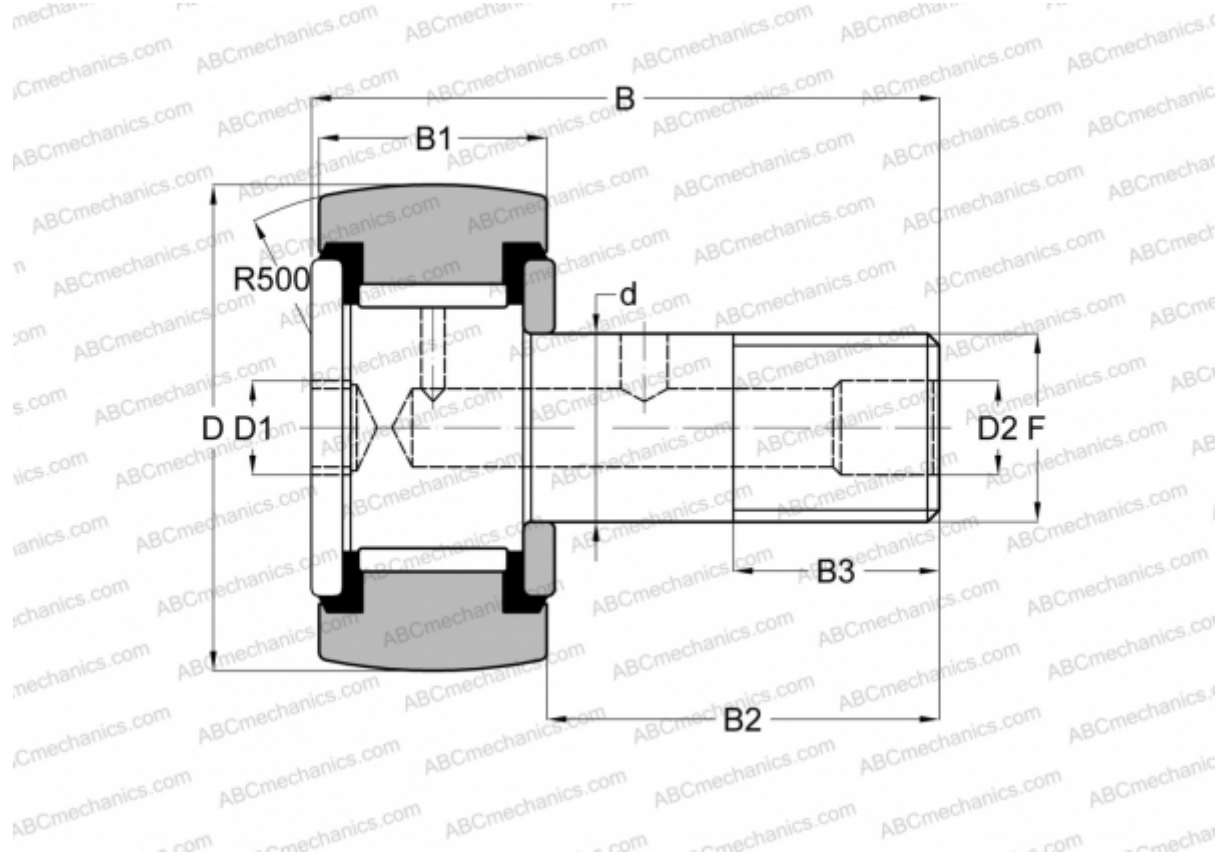


CRSBC 96 ABC

Cam followers

TYPE: Roller bearings, Stud type track rollers, Hex socket, contact seals on both side, inch size



Technical specification

DIMENSIONS, MM

d	63,500
D	152,400
D1	25,400
D2	6,350
B	236,538
B1	82,550
B2	152,400
B3	76,200
F	2 1/2-12

WEIGHT, KG 15,059

MANUFACTURER [ABC](#)

INTERCHANGE

McGill [CCF-6-SB](#)

INTERCHANGE

RBC	CS 192 LW
SMITH BEARING	CR-6-XBC
TORRINGTON	CRSBC 96