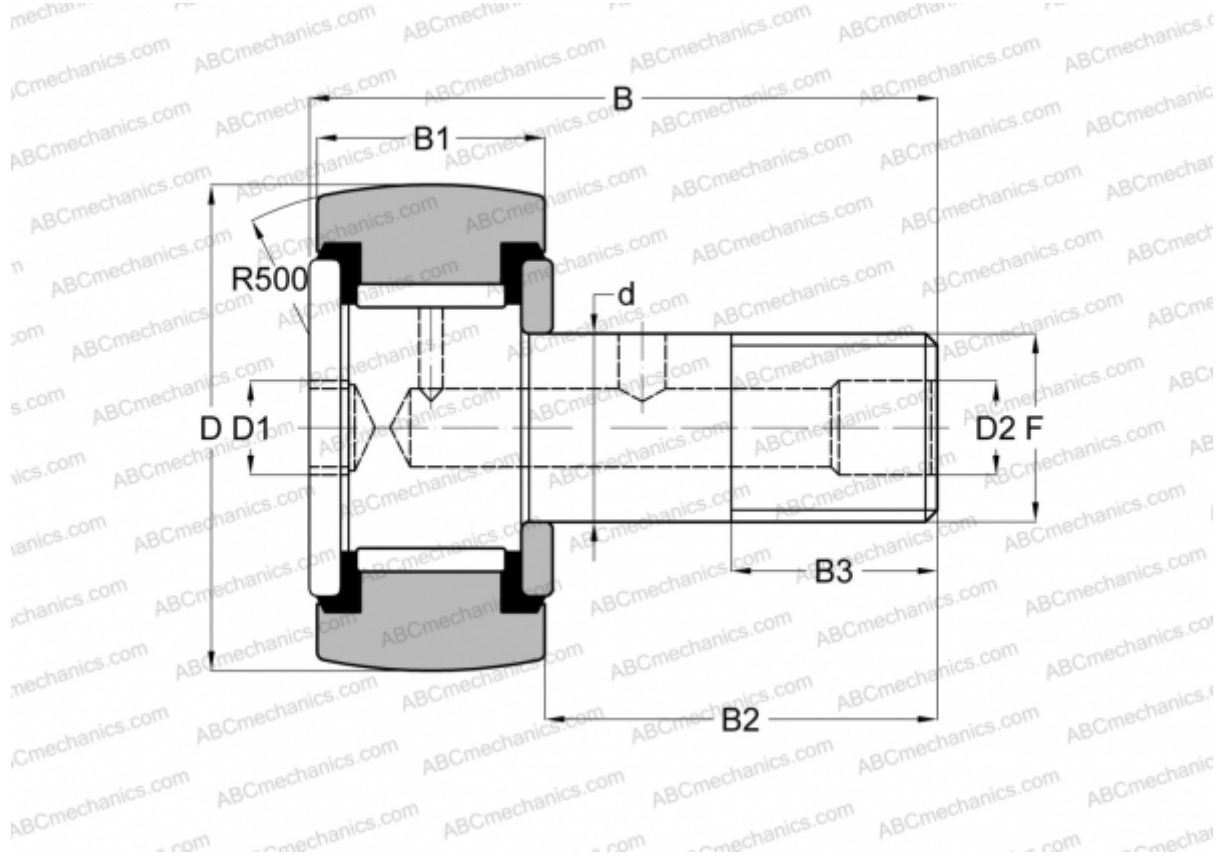


CR-6-XBC SMITH BEARING

Cam followers

TYPE: Roller bearings, Stud type track rollers, Hex socket, contact seals on both side, inch size



Technical specification

DIMENSIONS, MM

| | |
|----|----------|
| d | 63,500 |
| D | 152,400 |
| D1 | 25,400 |
| D2 | 6,350 |
| B | 236,538 |
| B1 | 82,550 |
| B2 | 152,400 |
| B3 | 76,200 |
| F | 2 1/2-12 |

WEIGHT, KG 15,059

MANUFACTURER [SMITH BEARING](#)

INTERCHANGE ABC [CRSBC 96](#)

INTERCHANGE

| | |
|------------|---------------------------|
| McGill | CCF-6-SB |
| RBC | CS 192 LW |
| TORRINGTON | CRSBC 96 |