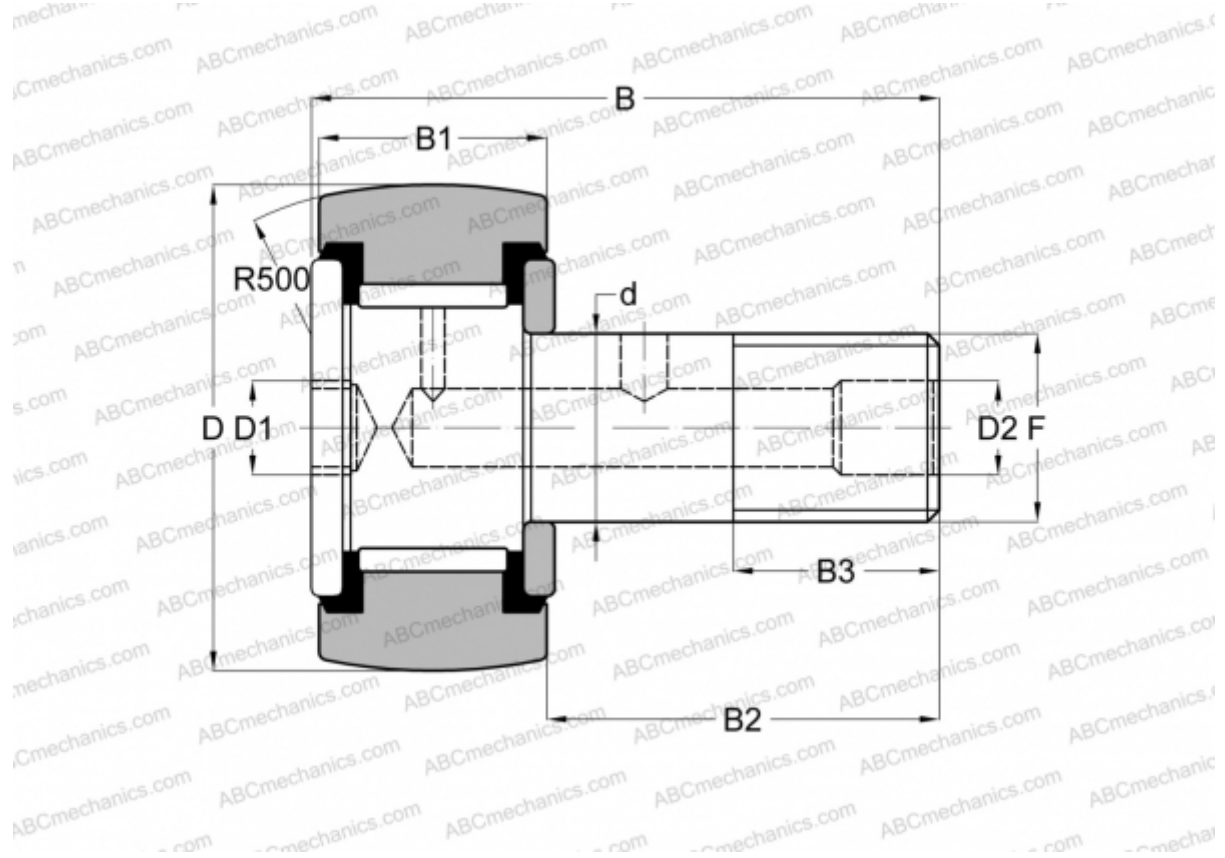


## CRSBC 96 TORRINGTON

Cam followers

TYPE: Roller bearings, Stud type track rollers, Hex socket, contact seals on both side, inch size



### Technical specification

#### DIMENSIONS, MM

d	63,500
D	152,400
D1	25,400
D2	6,350
B	236,538
B1	82,550
B2	152,400
B3	76,200
F	2 1/2-12

**WEIGHT, KG** 15,059

**MANUFACTURER** [TORRINGTON](#)

#### INTERCHANGE

ABC [CRSBC 96](#)

#### INTERCHANGE

McGill	<a href="#">CCF-6-SB</a>
RBC	<a href="#">CS 192 LW</a>
SMITH BEARING	<a href="#">CR-6-XBC</a>