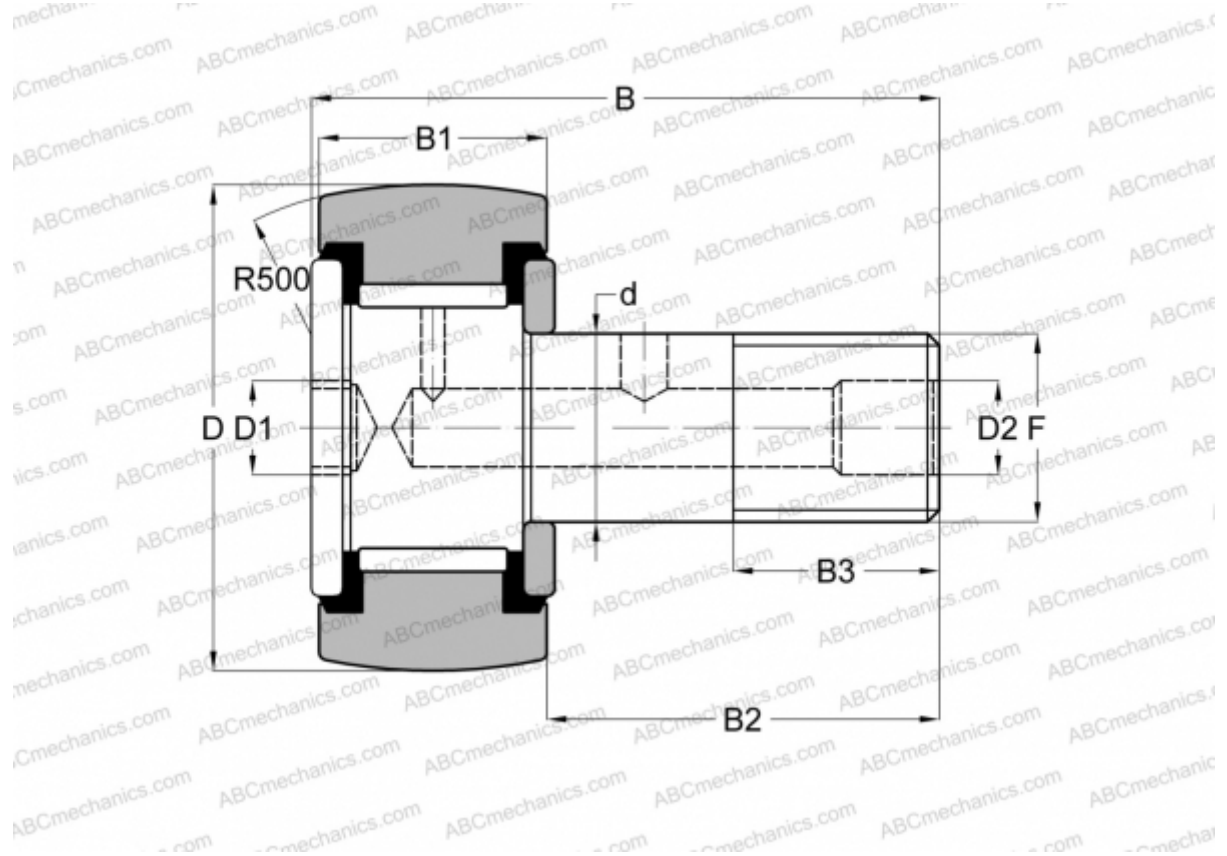


## CRSBC 112 ABC

Cam followers

TYPE: Roller bearings, Stud type track rollers, Hex socket, contact seals on both side, inch size



### Technical specification

#### DIMENSIONS, MM

d	76,200
D	177,800
D1	31,750
D2	6,350
B	292,087
B1	95,250
B2	195,250
B3	104,775
F	3-12

**WEIGHT, KG** 24,993

**MANUFACTURER** [ABC](#)

#### INTERCHANGE

McGill [CCF-7-SB](#)

#### INTERCHANGE

TORRINGTON

[CRSBC 112](#)