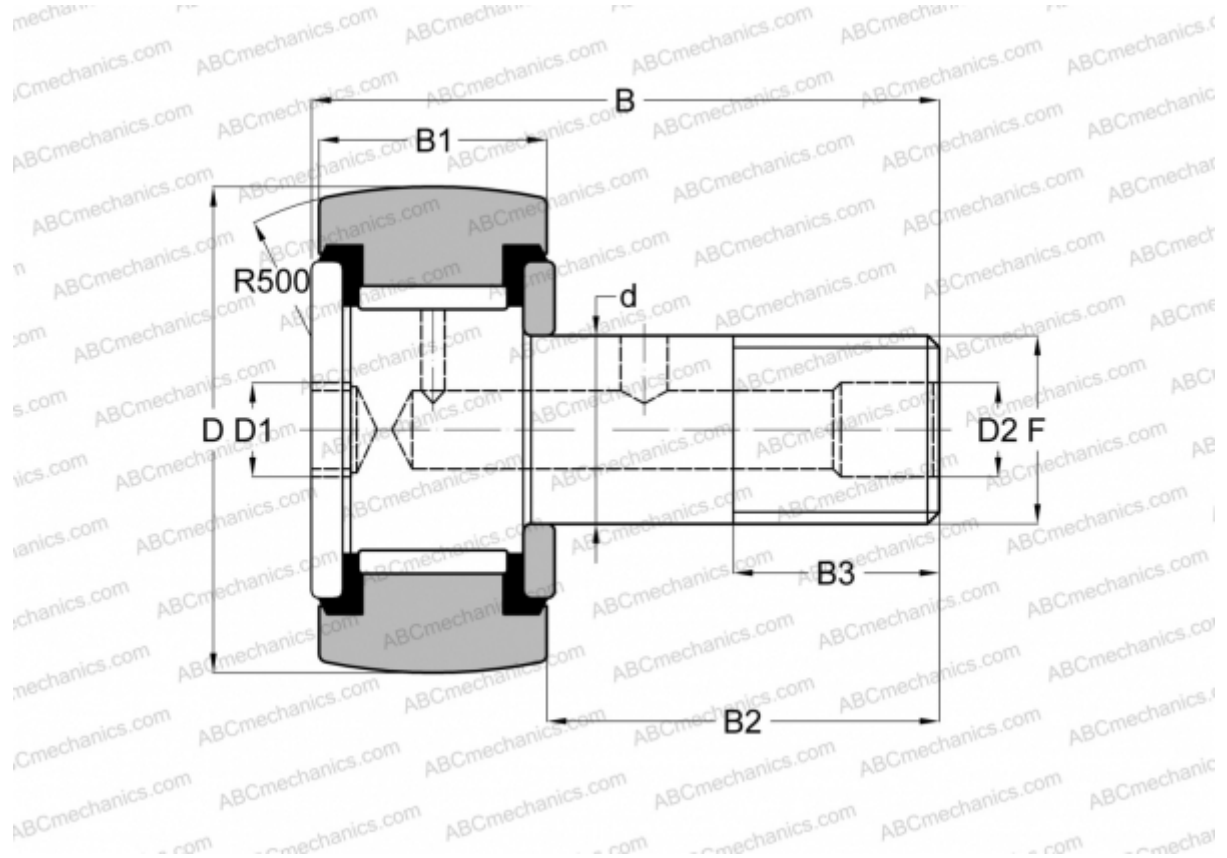


CRSBC 112 TORRINGTON

Cam followers

TYPE: Roller bearings, Stud type track rollers, Hex socket, contact seals on both side, inch size



Technical specification

DIMENSIONS, MM

d	76,200
D	177,800
D1	31,750
D2	6,350
B	292,087
B1	95,250
B2	195,250
B3	104,775
F	3-12

WEIGHT, KG 24,993

MANUFACTURER [TORRINGTON](#)

INTERCHANGE

ABC [CRSBC 112](#)

INTERCHANGE

McGill [CCF-7-SB](#)