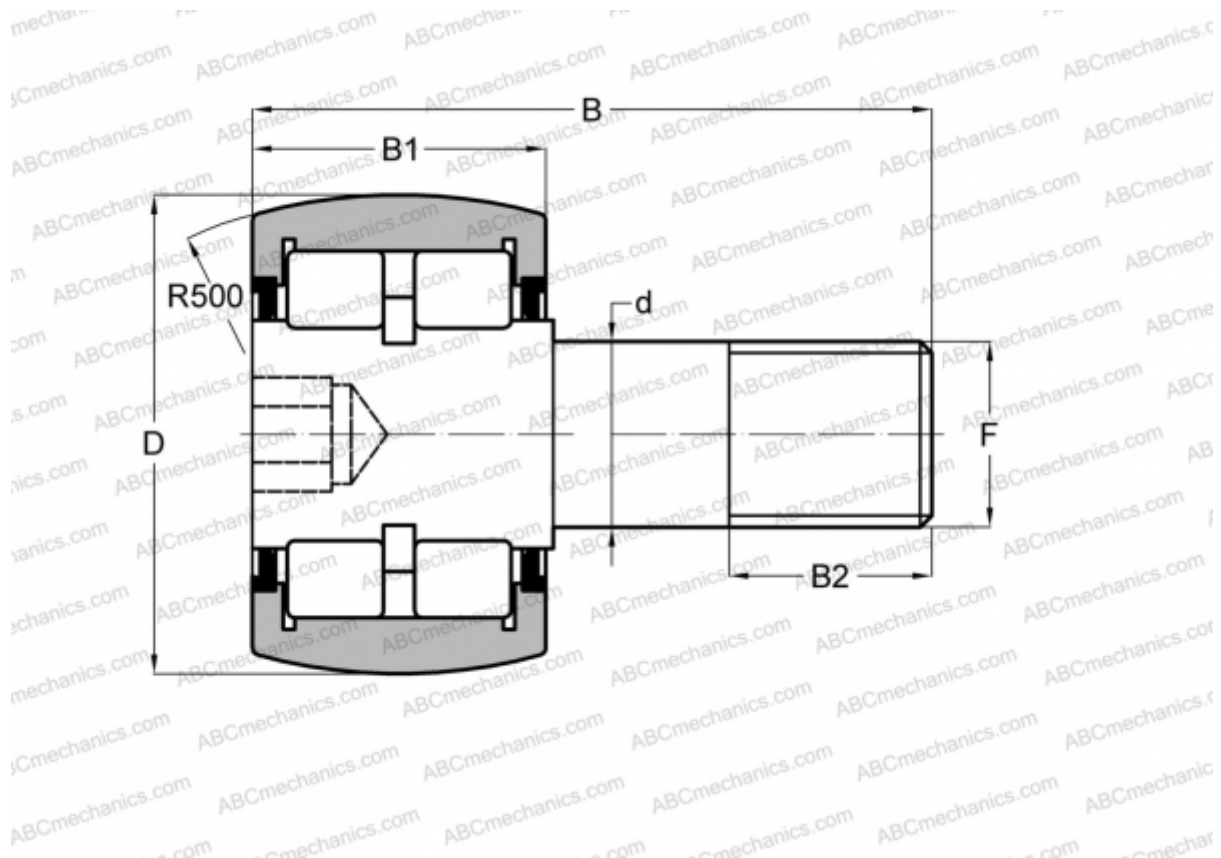


CRBC 1 3/4 ABC

Cam followers

TYPE: Roller bearings, Stud type track rollers, Roller, double row, hex socket, contact seals on both side, inch size



Technical specification

DIMENSIONS, MM

d	19,050
D	44,450
B	70,643
B1	25,400
B2	22,225
F	3/4 -16

WEIGHT, KG 0,376

MANUFACTURER [ABC](#)