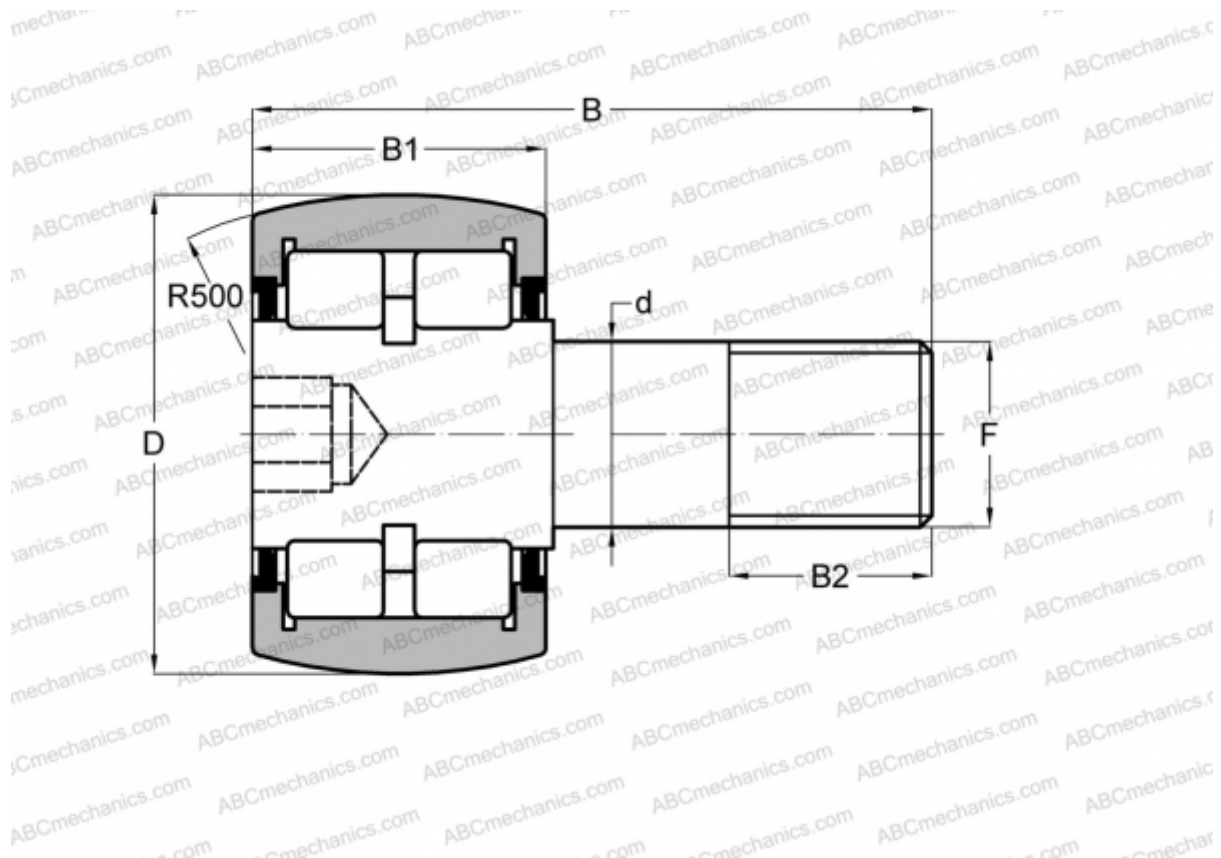


CRBC 3 1/2 ABC

Cam followers

TYPE: Roller bearings, Stud type track rollers, Roller, double row, hex socket, contact seals on both side, inch size



Technical specification

DIMENSIONS, MM

d	34,925
D	88,900
B	121,442
B1	50,800
B2	34,925
F	1 3/8 -12

WEIGHT, KG 2,821

MANUFACTURER [ABC](#)