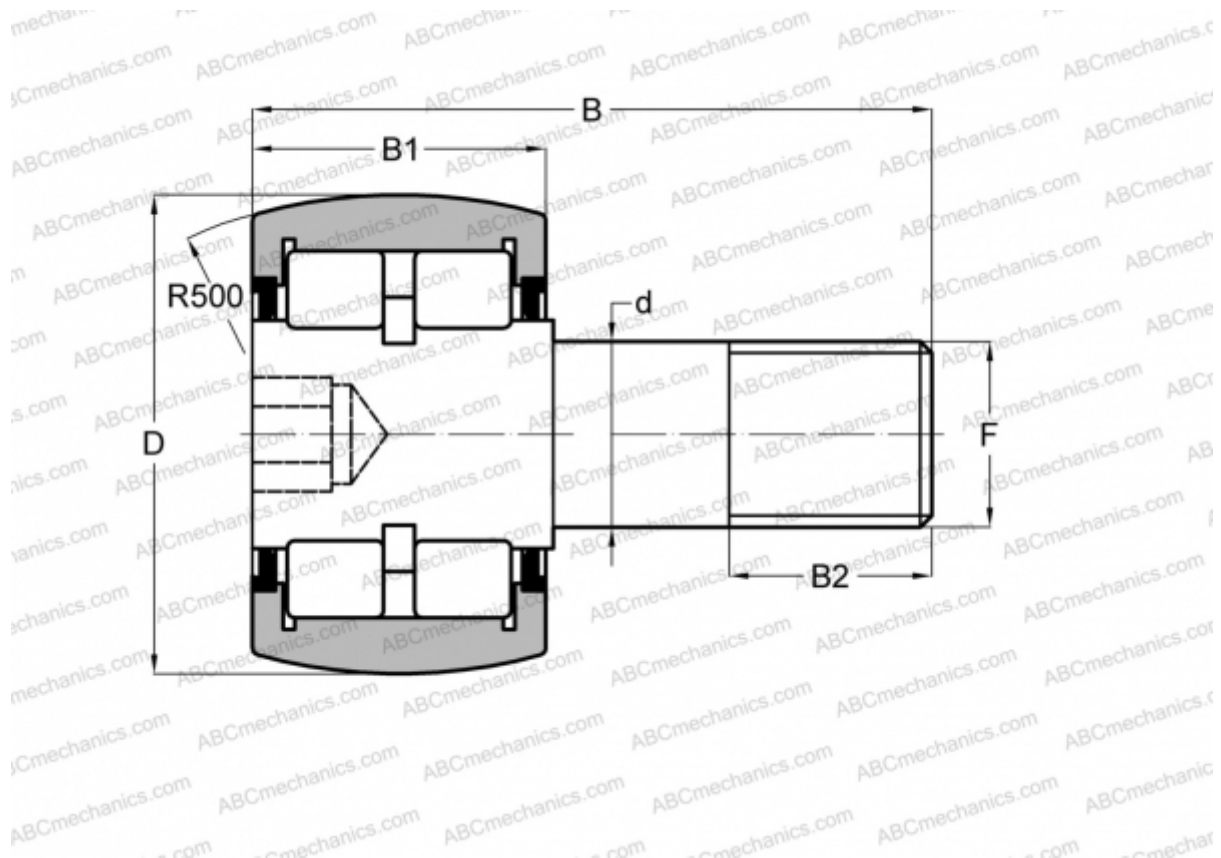


CRBC 4 ABC

Cam followers

TYPE: Roller bearings, Stud type track rollers, Roller, double row, hex socket, contact seals on both side, inch size



Technical specification

DIMENSIONS, MM

d	38,100
D	101,600
B	146,842
B1	57,150
B2	38,100
F	1 1/2-12

WEIGHT, KG 3,375

MANUFACTURER [ABC](#)