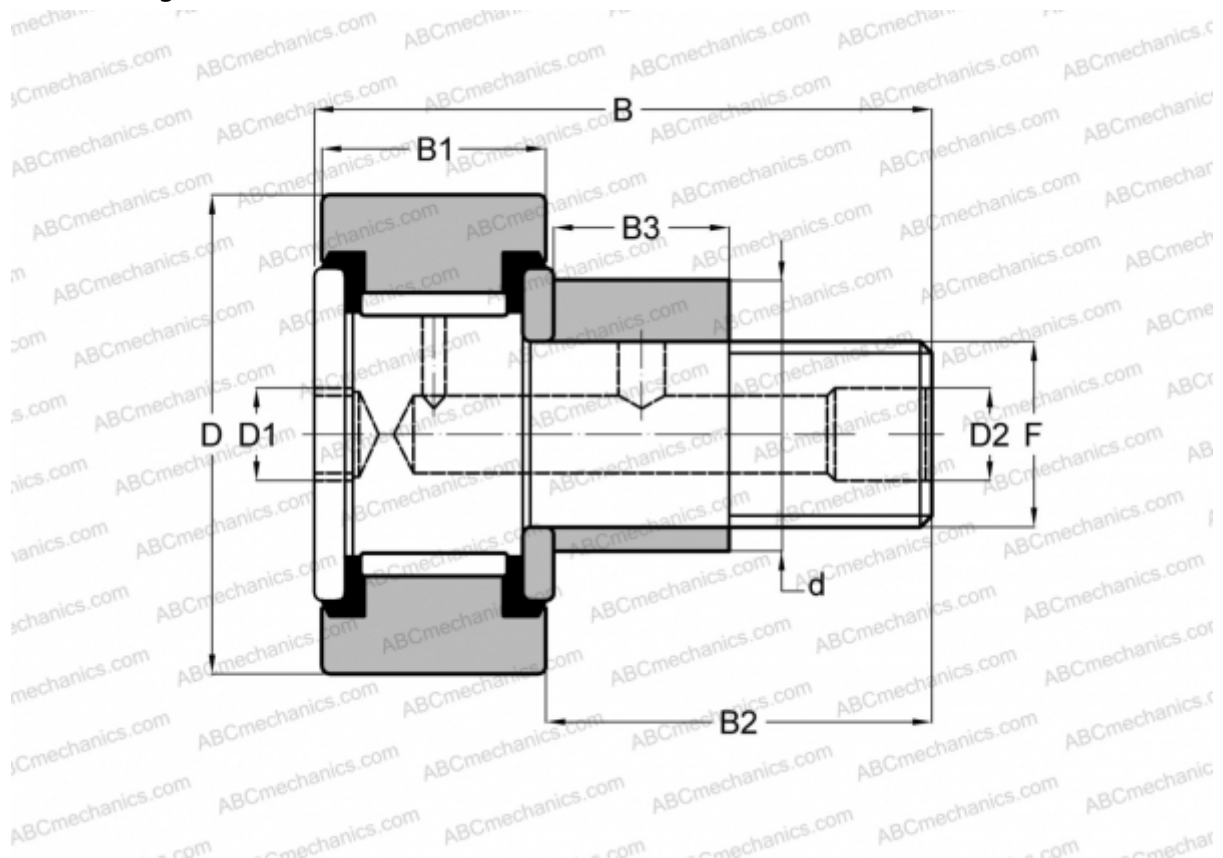


CFE 1 1/4 SB McGill

Cam followers

TYPE: Roller bearings, Stud type track rollers, Eccentric stud, hex socket, contact seals on both side, cylindrical outer ring, inch size



Technical specification

DIMENSIONS, MM

d	17,463
D	31,750
D1	6,350
D2	4,763
B	51,593
B1	19,050
B2	31,750
B3	15,875
F	1/2 -20

WEIGHT, KG 0,150

MANUFACTURER [McGill](#)

INTERCHANGE

TORRINGTON [CRSBE 20](#)

INTERCHANGE

INA [CFE 20 PP](#)

RBC [S 40 LWX](#)

SMITH BEARING [CR 1 1/4 XBE](#)