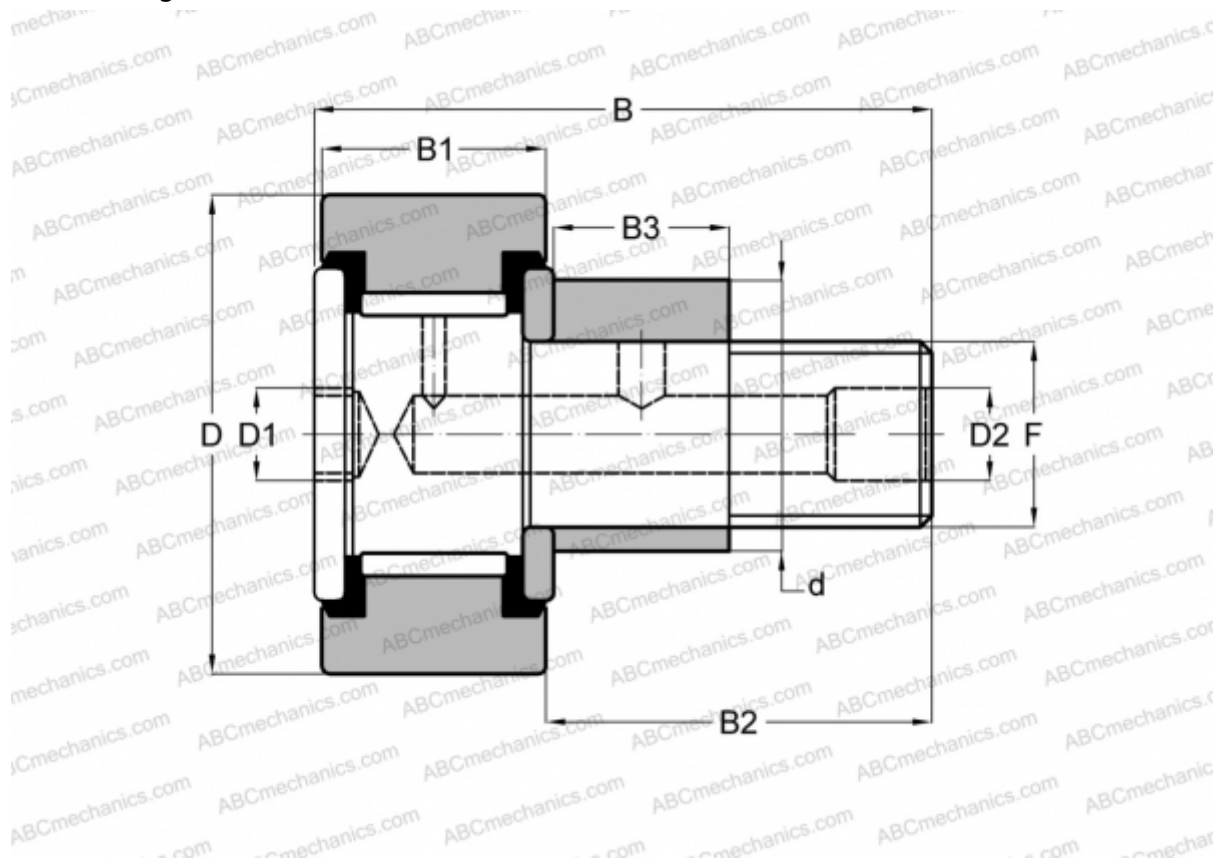


CR 1 7/8 XBE SMITH BEARING

Cam followers

TYPE: Roller bearings, Stud type track rollers, Eccentric stud, hex socket, contact seals on both side, cylindrical outer ring, inch size



Technical specification

DIMENSIONS, MM

d	25,400
D	47,625
D1	7,938
D2	4,763
B	70,643
B1	25,400
B2	44,450
B3	22,225
F	3/4-16

INTERCHANGE

INA	CFE 30 PP
McGill	CFE 1 7/8 SB
RBC	S 60 LWX

WEIGHT, KG 0,449

MANUFACTURER [SMITH BEARING](#)

INTERCHANGE [TORRINGTON CRSBE 30](#)