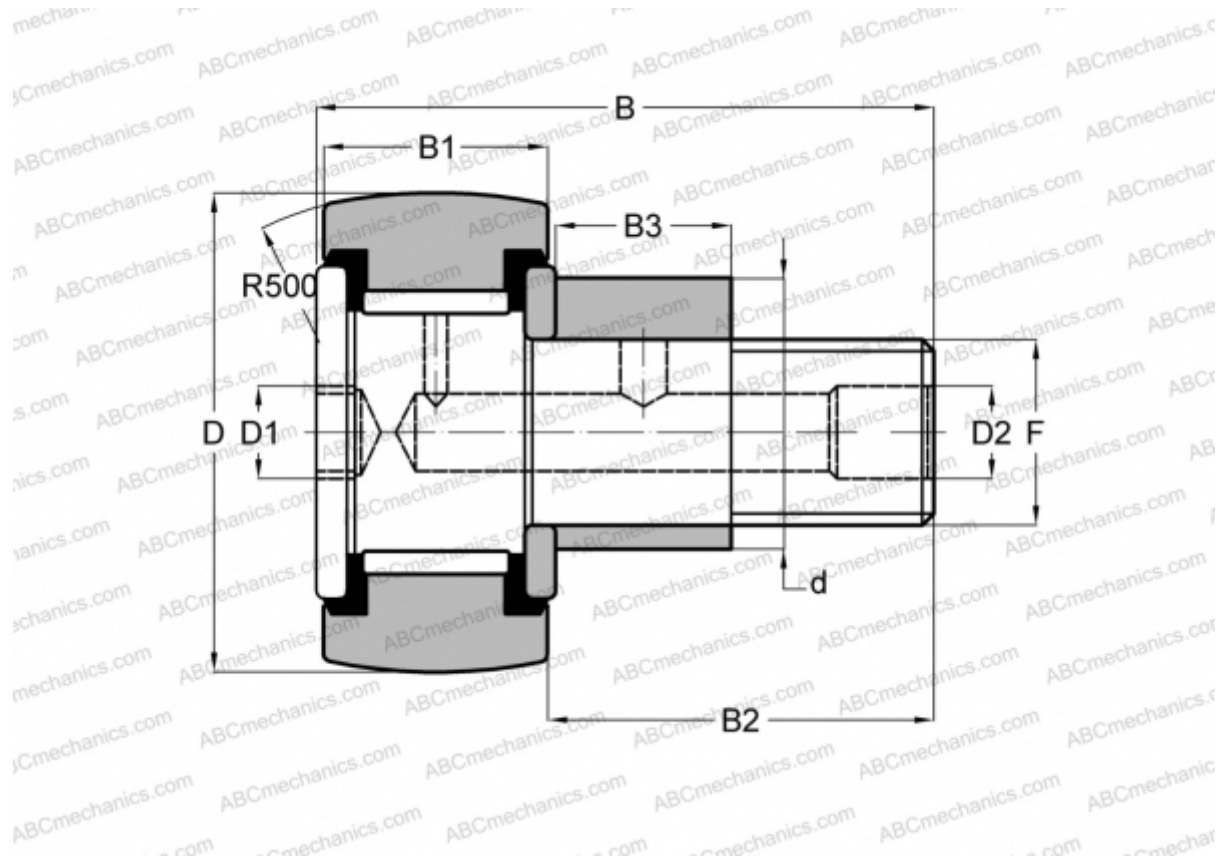


## CRSBCE 8-1 TORRINGTON

Cam followers

TYPE: Roller bearings, Stud type track rollers, Eccentric stud, hex socket, contact seals on both side, inch size



### Technical specification

#### DIMENSIONS, MM

d	6,350
D	12,700
D1	3,175
B	26,193
B1	9,525
B2	15,875
B3	6,350
T	9,525
F	10-32

#### INTERCHANGE

McGill	<a href="#">CCFE- 1/2-SB</a>
RBC	<a href="#">CS 16 LWX</a>
SMITH BEARING	<a href="#">CR- 1/2 -XBCE</a>

**WEIGHT, KG** 0,018

**MANUFACTURER** [TORRINGTON](#)

#### INTERCHANGE

INA [CFE 8-1 PPY](#)