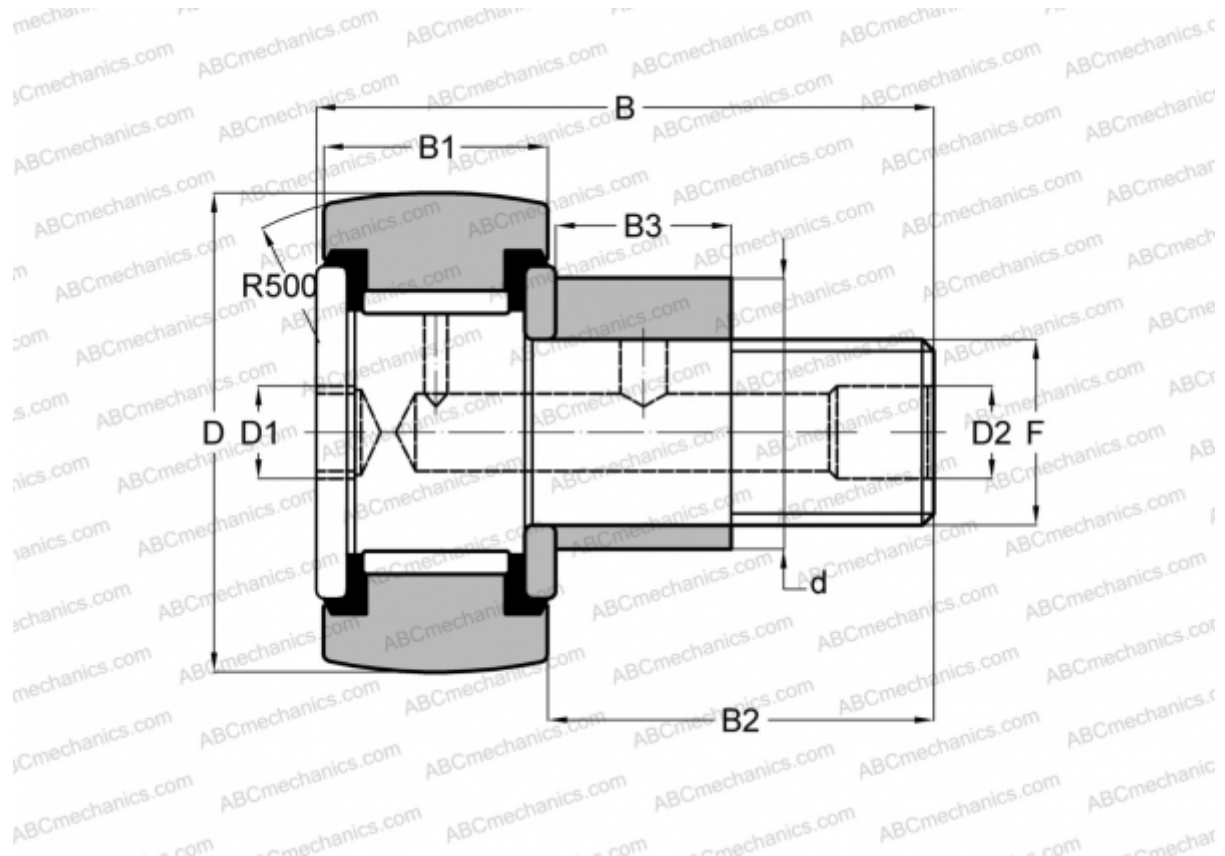


CFE 8-1 PPY INA

Cam followers

TYPE: Roller bearings, Stud type track rollers, Eccentric stud, hex socket, contact seals on both side, inch size



Technical specification

DIMENSIONS, MM

| | |
|----|--------|
| d | 6,350 |
| D | 12,700 |
| D1 | 3,175 |
| B | 26,193 |
| B1 | 9,525 |
| B2 | 15,875 |
| B3 | 6,350 |
| T | 9,525 |
| F | 10-32 |

WEIGHT, KG 0,018

MANUFACTURER [INA](#)

INTERCHANGE

TORRINGTON [CRSBCE 8-1](#)

INTERCHANGE

McGill [CCFE- 1/2-SB](#)

RBC [CS 16 LWX](#)

SMITH BEARING [CR- 1/2 -XBCE](#)