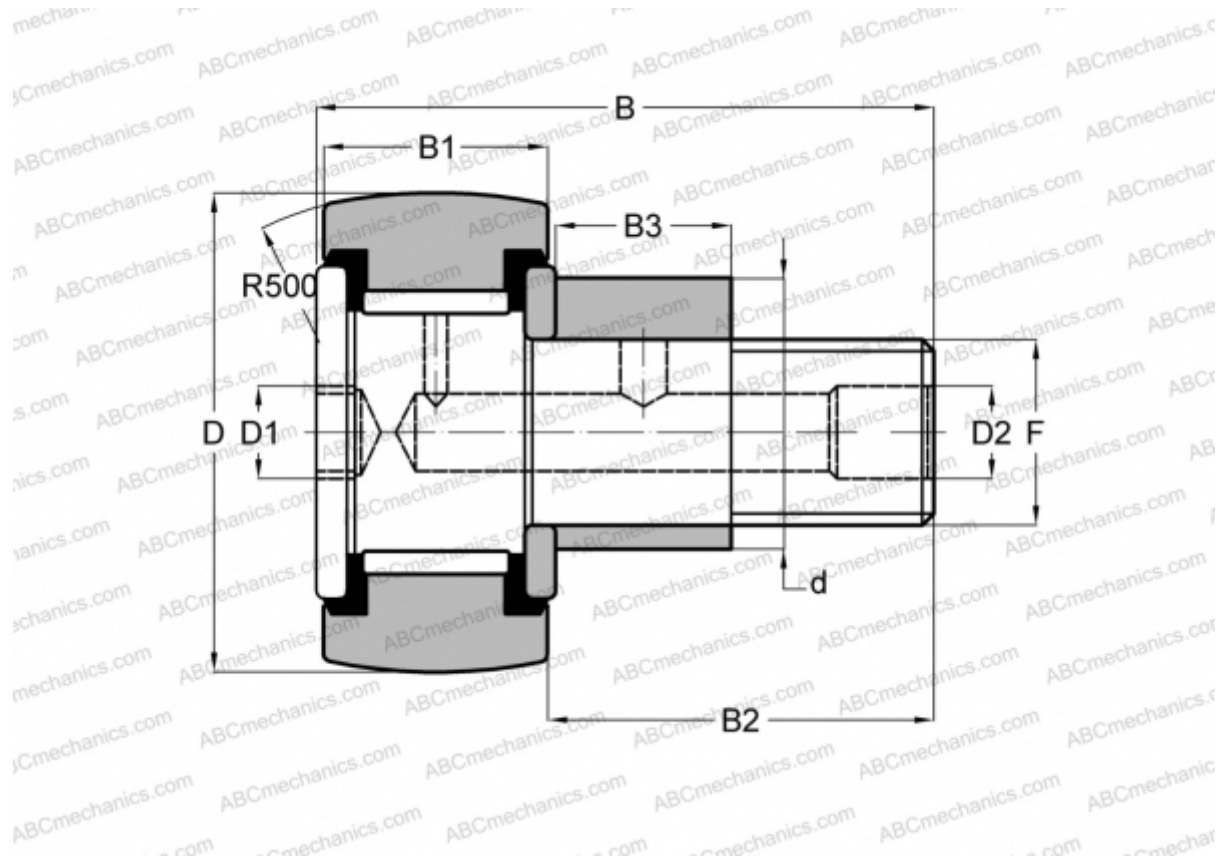


CRSBCE 10-1 TORRINGTON

Cam followers

TYPE: Roller bearings, Stud type track rollers, Eccentric stud, hex socket, contact seals on both side, inch size



Technical specification

DIMENSIONS, MM

d	9,525
D	15,875
D1	3,175
B	30,968
B1	11,113
B2	19,050
B3	7,925
T	11,113
F	1/4-28

INTERCHANGE

McGill	CCFE- 5/8 -SB
RBC	CS 20 LWX
SMITH BEARING	CR- 5/8 -XBCE

WEIGHT, KG 0,023

MANUFACTURER [TORRINGTON](#)

INTERCHANGE

INA [CFE 10-1 PPY](#)