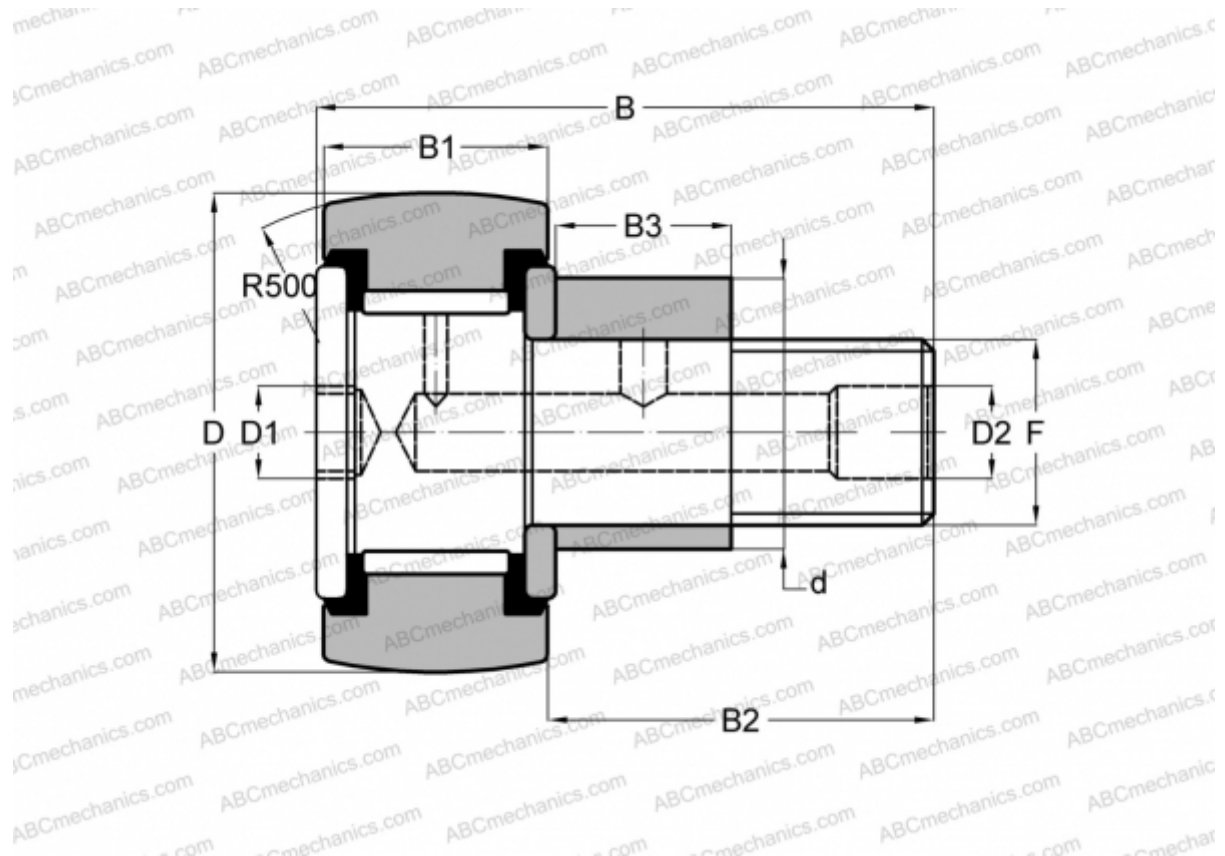


CCFE- 5/8 -SB McGill

Cam followers

TYPE: Roller bearings, Stud type track rollers, Eccentric stud, hex socket, contact seals on both side, inch size



Technical specification

DIMENSIONS, MM

d	9,525
D	15,875
D1	3,175
B	30,968
B1	11,113
B2	19,050
B3	7,925
T	11,113
F	1/4-28

WEIGHT, KG 0,023

MANUFACTURER [McGill](#)

INTERCHANGE

TORRINGTON [CRSBCE 10-1](#)

INTERCHANGE

INA [CFE 10-1 PPY](#)

RBC [CS 20 LWX](#)

SMITH BEARING [CR- 5/8 -XBCE](#)