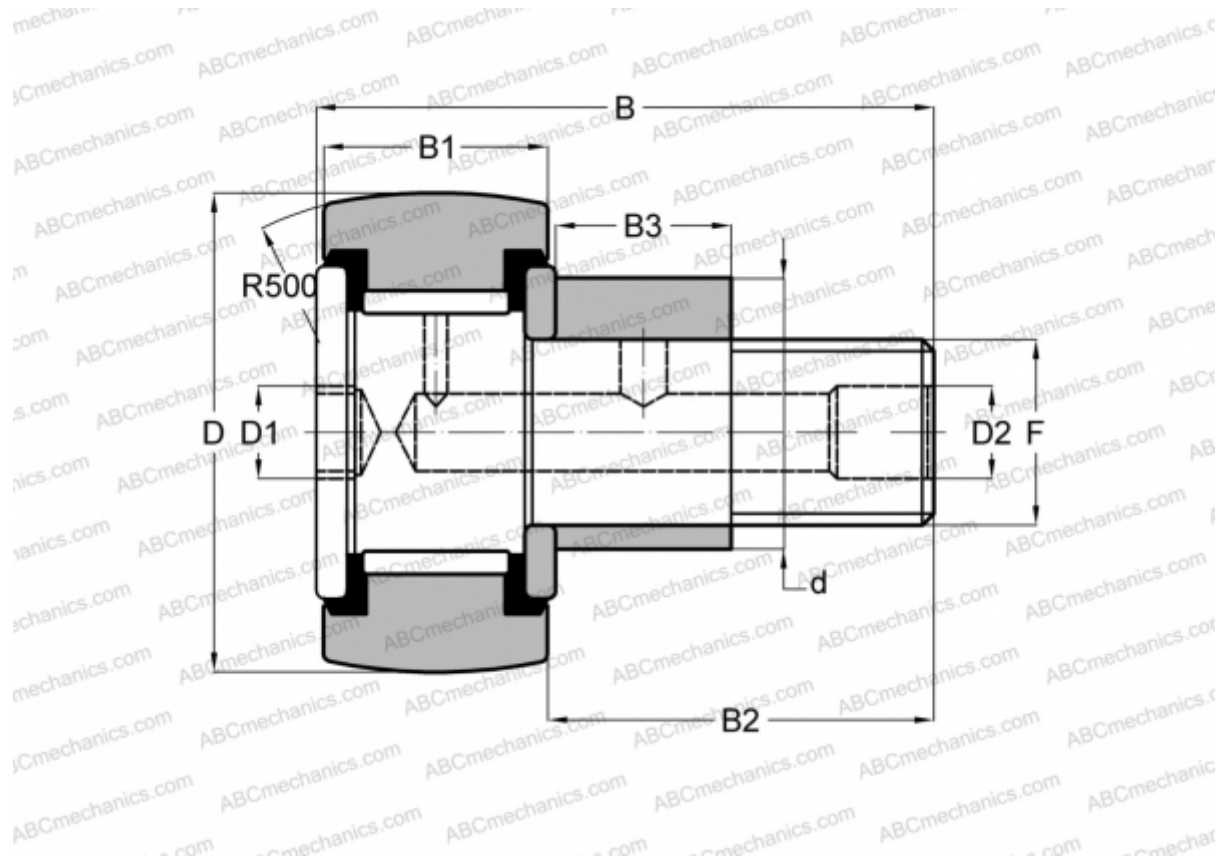


## CR- 5/8 -XBCE SMITH BEARING

Cam followers

TYPE: Roller bearings, Stud type track rollers, Eccentric stud, hex socket, contact seals on both side, inch size



### Technical specification

#### DIMENSIONS, MM

d	9,525
D	15,875
D1	3,175
B	30,968
B1	11,113
B2	19,050
B3	7,925
T	11,113
F	1/4-28

**WEIGHT, KG** 0,023

**MANUFACTURER** [SMITH BEARING](#)

#### INTERCHANGE

TORRINGTON [CRSBCE 10-1](#)

#### INTERCHANGE

INA	<a href="#">CFE 10-1 PPY</a>
McGill	<a href="#">CCFE- 5/8 -SB</a>
RBC	<a href="#">CS 20 LWX</a>