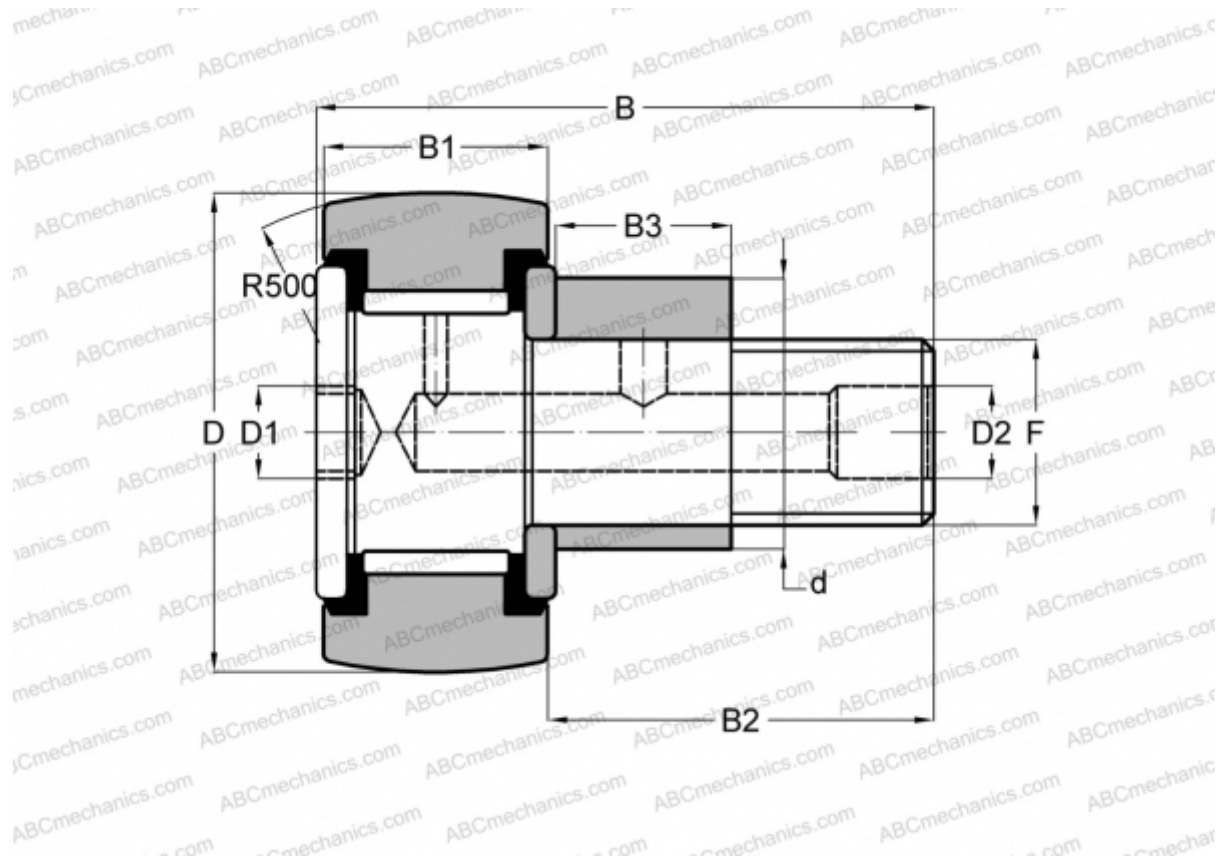


CS 24 LWX RBC

Cam followers

TYPE: Roller bearings, Stud type track rollers, Eccentric stud, hex socket, contact seals on both side, inch size



Technical specification

DIMENSIONS, MM

d	12,700
D	19,050
D1	4,763
D2	4,763
B	35,718
B1	12,700
B2	22,225
B3	9,525
T	12,700
F	3/8-24

WEIGHT, KG 0,036

MANUFACTURER [RBC](#)

INTERCHANGE

TORRINGTON	CRSBCE 12
INA	CFE 12 PPY
McGill	CCFE- 3/4 -SB
SMITH BEARING	CR- 3/4 -XBCE