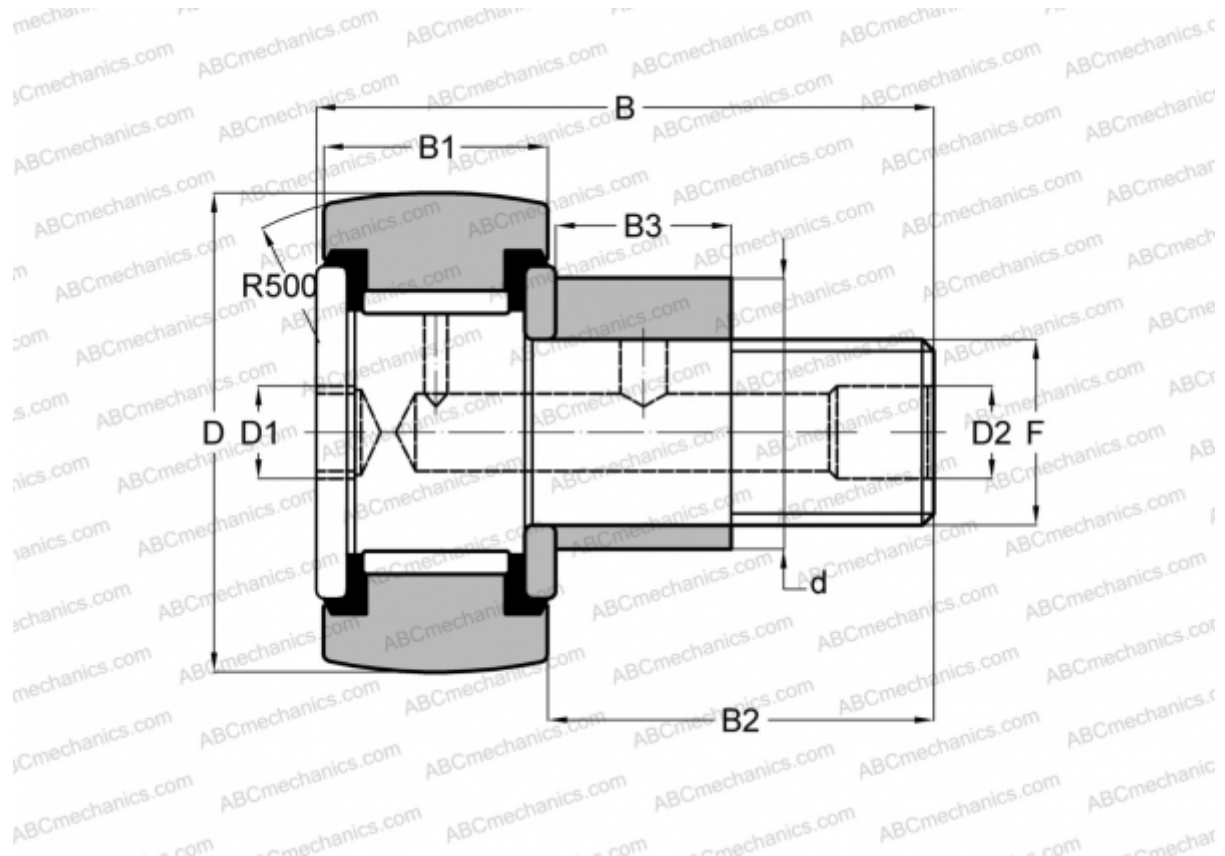


## CR- 3/4 -XBCE SMITH BEARING

Cam followers

TYPE: Roller bearings, Stud type track rollers, Eccentric stud, hex socket, contact seals on both side, inch size



### Technical specification

#### DIMENSIONS, MM

d	12,700
D	19,050
D1	4,763
D2	4,763
B	35,718
B1	12,700
B2	22,225
B3	9,525
T	12,700
F	3/8-24

**WEIGHT, KG** 0,036

**MANUFACTURER** [SMITH BEARING](#)

#### INTERCHANGE

TORRINGTON	<a href="#">CRSBCE 12</a>
INA	<a href="#">CFE 12 PPY</a>
McGill	<a href="#">CCFE- 3/4 -SB</a>
RBC	<a href="#">CS 24 LWX</a>