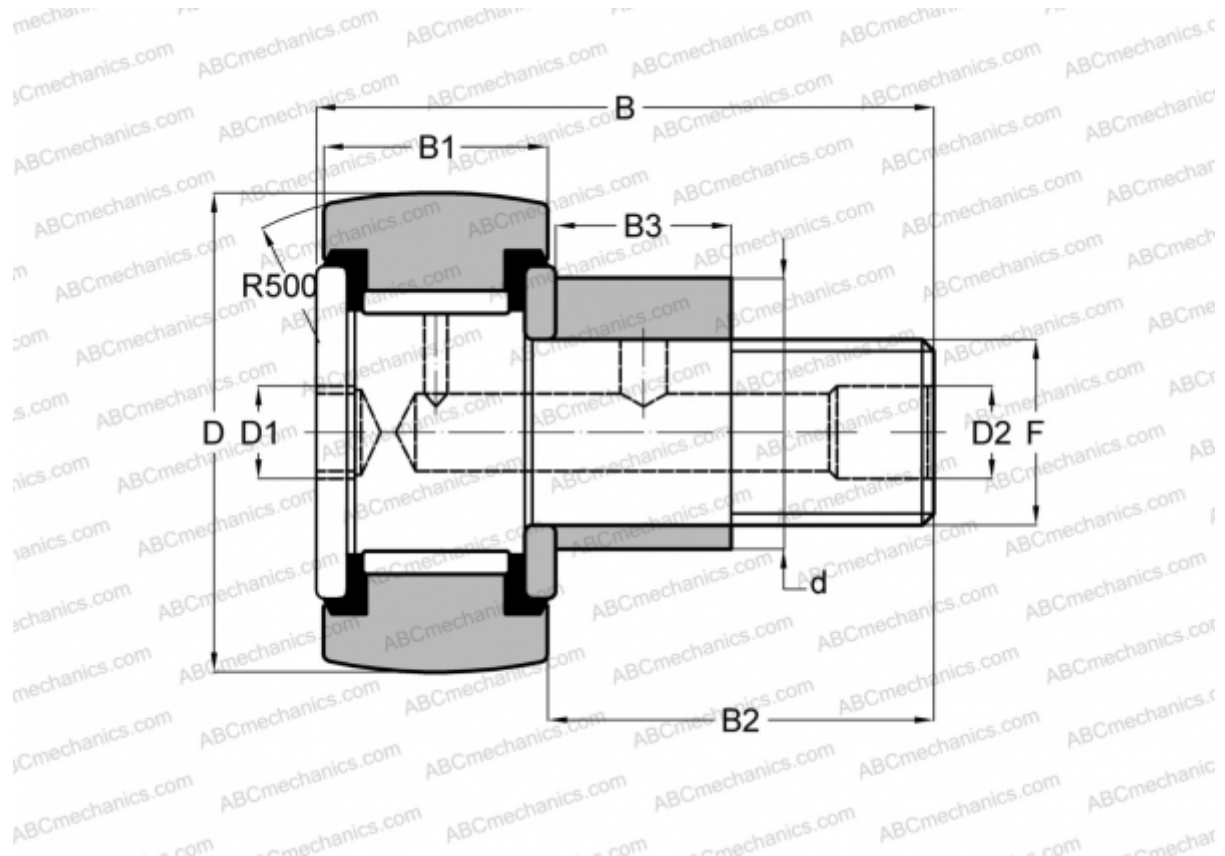


## CCFE- 7/8 -SB McGill

Cam followers

TYPE: Roller bearings, Stud type track rollers, Eccentric stud, hex socket, contact seals on both side, inch size



### Technical specification

#### DIMENSIONS, MM

d	12,700
D	22,225
D1	4,763
D2	4,763
B	35,718
B1	12,700
B2	22,225
B3	9,525
T	12,700
F	3/8-24

**WEIGHT, KG** 0,050

**MANUFACTURER** [McGill](#)

#### INTERCHANGE

TORRINGTON	<a href="#">CRSBCE 14</a>
INA	<a href="#">CFE 14 PPY</a>
RBC	<a href="#">CS 28 LWX</a>
SMITH BEARING	<a href="#">CR- 7/8 -XBCE</a>