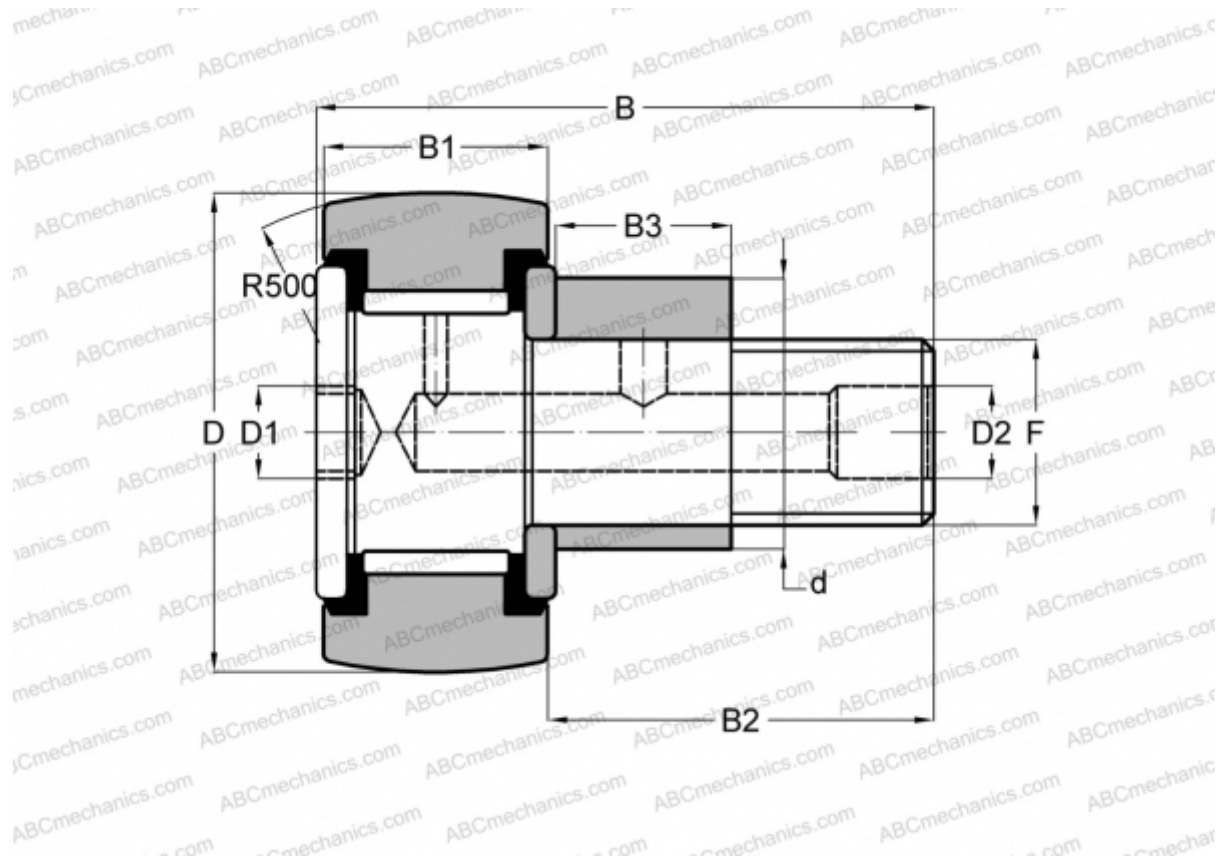


CR- 7/8 -XBCE SMITH BEARING

Cam followers

TYPE: Roller bearings, Stud type track rollers, Eccentric stud, hex socket, contact seals on both side, inch size



Technical specification

DIMENSIONS, MM

d	12,700
D	22,225
D1	4,763
D2	4,763
B	35,718
B1	12,700
B2	22,225
B3	9,525
T	12,700
F	3/8-24

WEIGHT, KG 0,050

MANUFACTURER [SMITH BEARING](#)

INTERCHANGE

TORRINGTON	CRSBCE 14
INA	CFE 14 PPY
McGill	CCFE- 7/8 -SB
RBC	CS 28 LWX