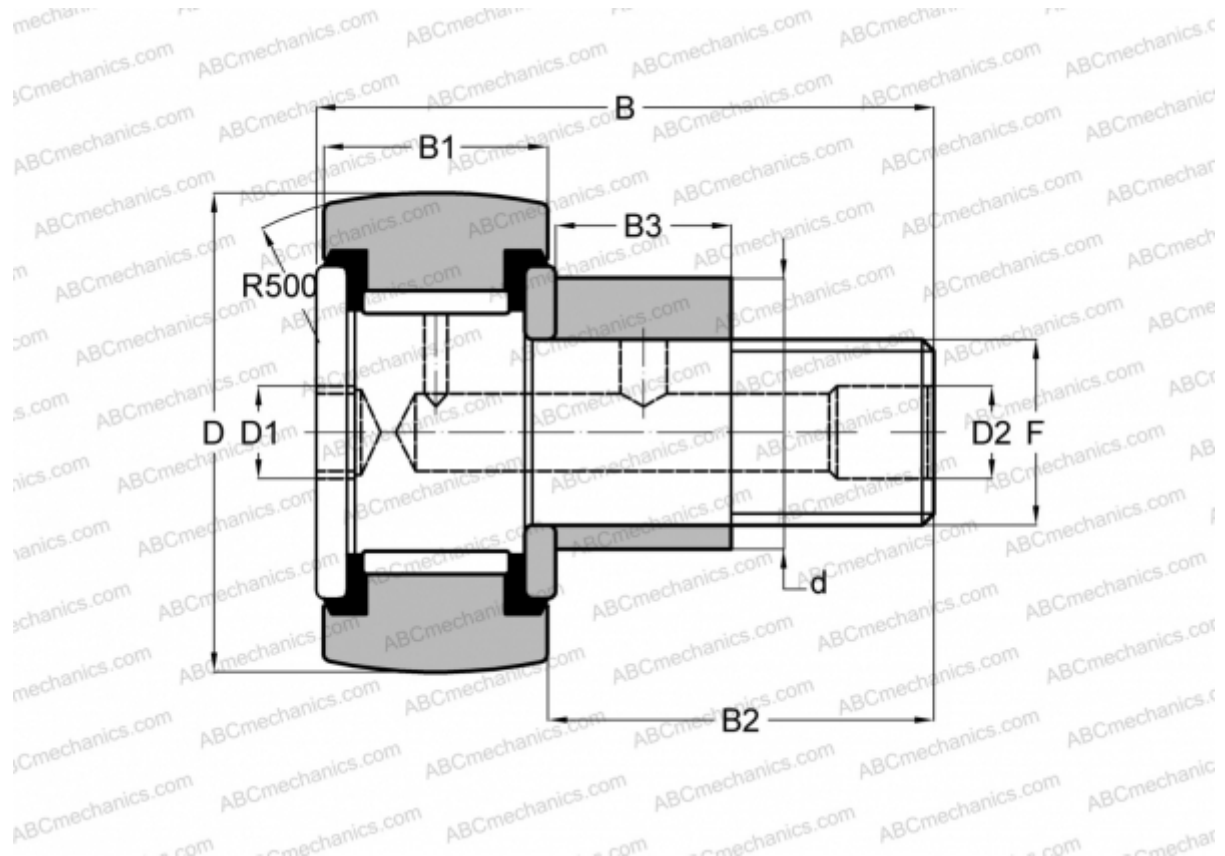


CCFE-1-SB McGill

Cam followers

TYPE: Roller bearings, Stud type track rollers, Eccentric stud, hex socket, contact seals on both side, inch size



Technical specification

DIMENSIONS, MM

d	15,875
D	25,400
D1	6,350
D2	4,763
B	42,068
B1	15,875
B2	25,400
B3	12,700
T	12,700
F	7/16-20

WEIGHT, KG 0,082

MANUFACTURER [McGill](#)

INTERCHANGE

TORRINGTON	CRSBCE 16
INA	CFE 16 PPY
RBC	CS 32 LWX
SMITH BEARING	CR-1-XBCE