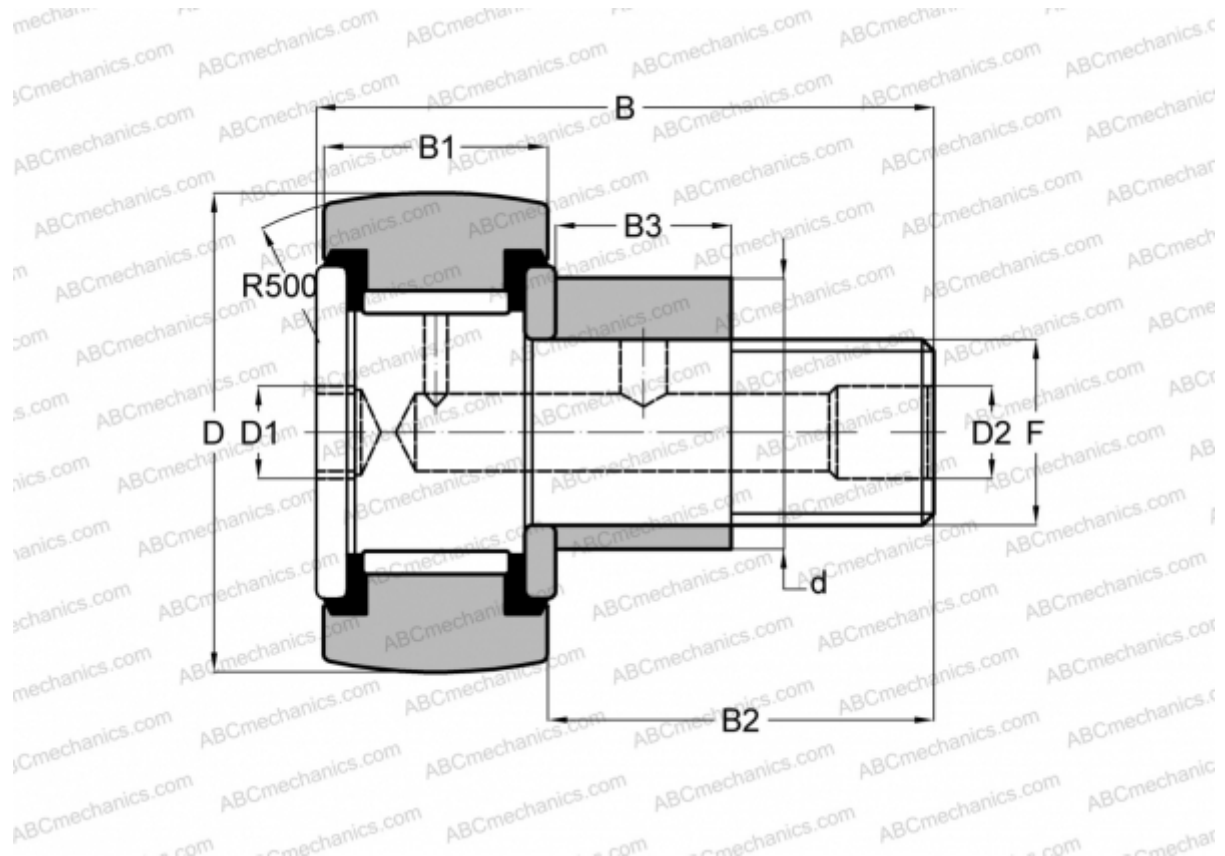


CFE 24 PPY INA

Cam followers

TYPE: Roller bearings, Stud type track rollers, Eccentric stud, hex socket, contact seals on both side, inch size



Technical specification

DIMENSIONS, MM

d	22,225
D	38,100
D1	7,938
D2	4,763
B	61,118
B1	22,225
B2	38,100
B3	19,050
T	19,050
F	5/8-18

WEIGHT, KG 0,263

MANUFACTURER [INA](#)

INTERCHANGE

TORRINGTON	CRSBCE 24
McGill	CCFE-1 1/2 -SB
RBC	CS 48 LWX
SMITH BEARING	CR-1 1/2 -XBCE