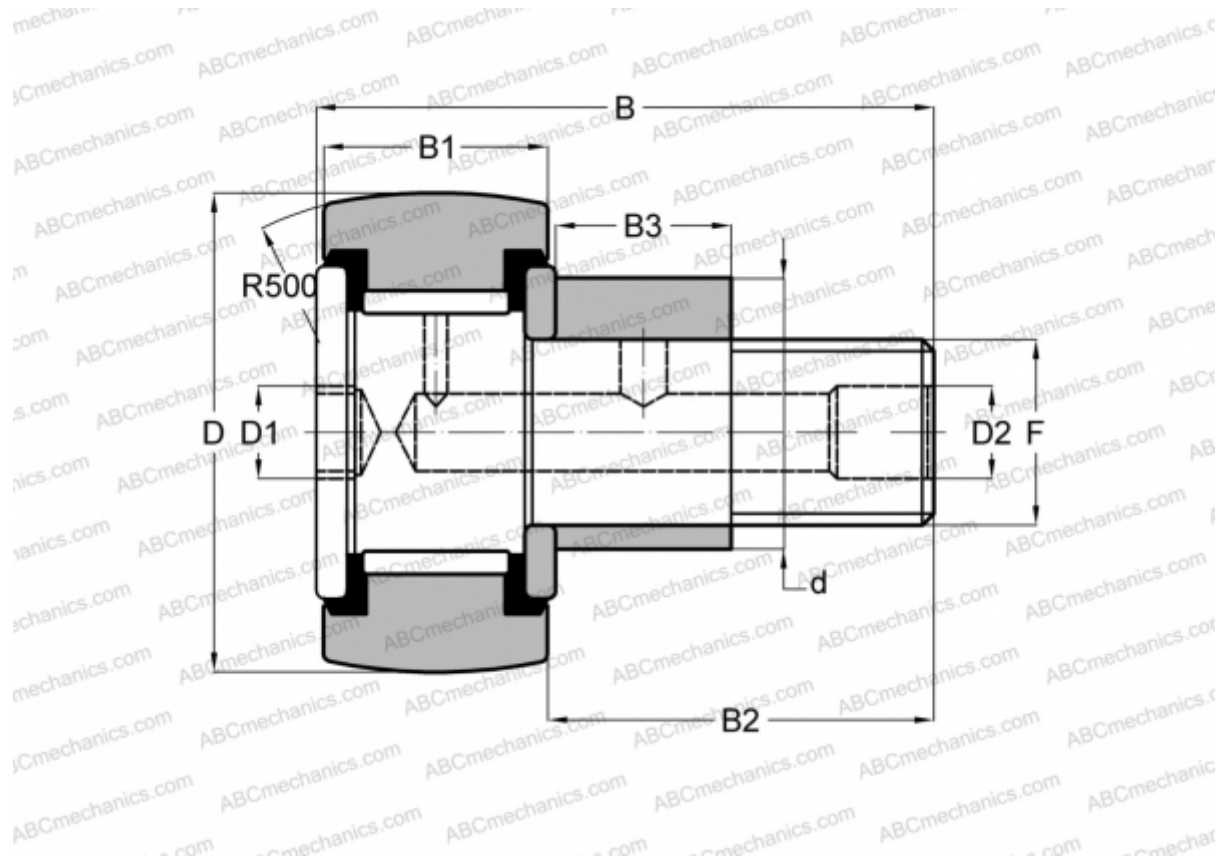


CCFE-1 3/4 -SB McGill

Cam followers

TYPE: Roller bearings, Stud type track rollers, Eccentric stud, hex socket, contact seals on both side, inch size



Technical specification

DIMENSIONS, MM

| | |
|----|--------|
| d | 25,400 |
| D | 44,450 |
| D1 | 7,938 |
| D2 | 4,763 |
| B | 70,643 |
| B1 | 25,400 |
| B2 | 44,450 |
| B3 | 22,225 |
| T | 22,225 |
| F | 3/4-16 |

WEIGHT, KG 0,408

MANUFACTURER [McGill](#)

INTERCHANGE

| | |
|---------------|--------------------------------|
| TORRINGTON | CRSBCE 28 |
| INA | CFE 28 PPY |
| RBC | CS 56 LWX |
| SMITH BEARING | CR-1 3/4 -XBCE |