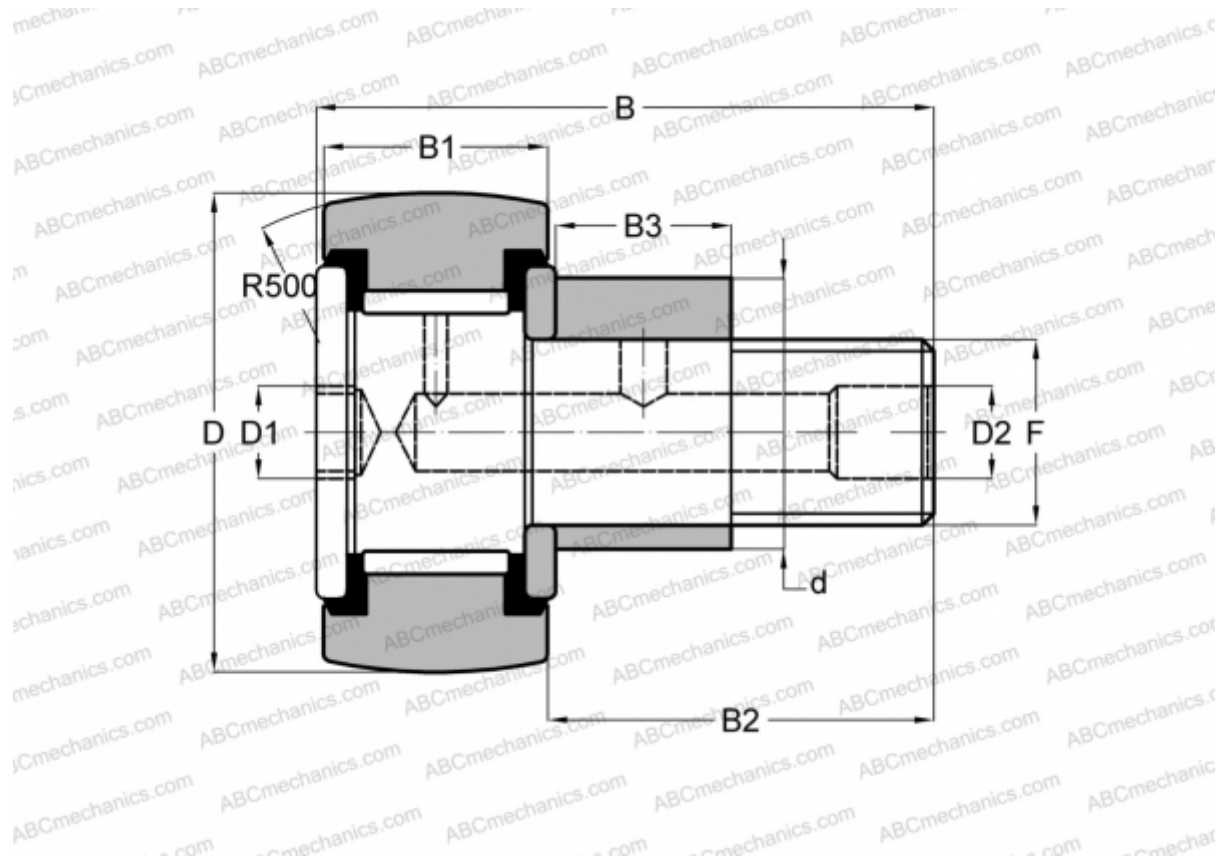


## CR-1 3/4 -XBCE SMITH BEARING

Cam followers

TYPE: Roller bearings, Stud type track rollers, Eccentric stud, hex socket, contact seals on both side, inch size



### Technical specification

#### DIMENSIONS, MM

d	25,400
D	44,450
D1	7,938
D2	4,763
B	70,643
B1	25,400
B2	44,450
B3	22,225
T	22,225
F	3/4-16

**WEIGHT, KG** 0,408

**MANUFACTURER** [SMITH BEARING](#)

#### INTERCHANGE

TORRINGTON	<a href="#">CRSBCE 28</a>
INA	<a href="#">CFE 28 PPY</a>
McGill	<a href="#">CCFE-1 3/4 -SB</a>
RBC	<a href="#">CS 56 LWX</a>