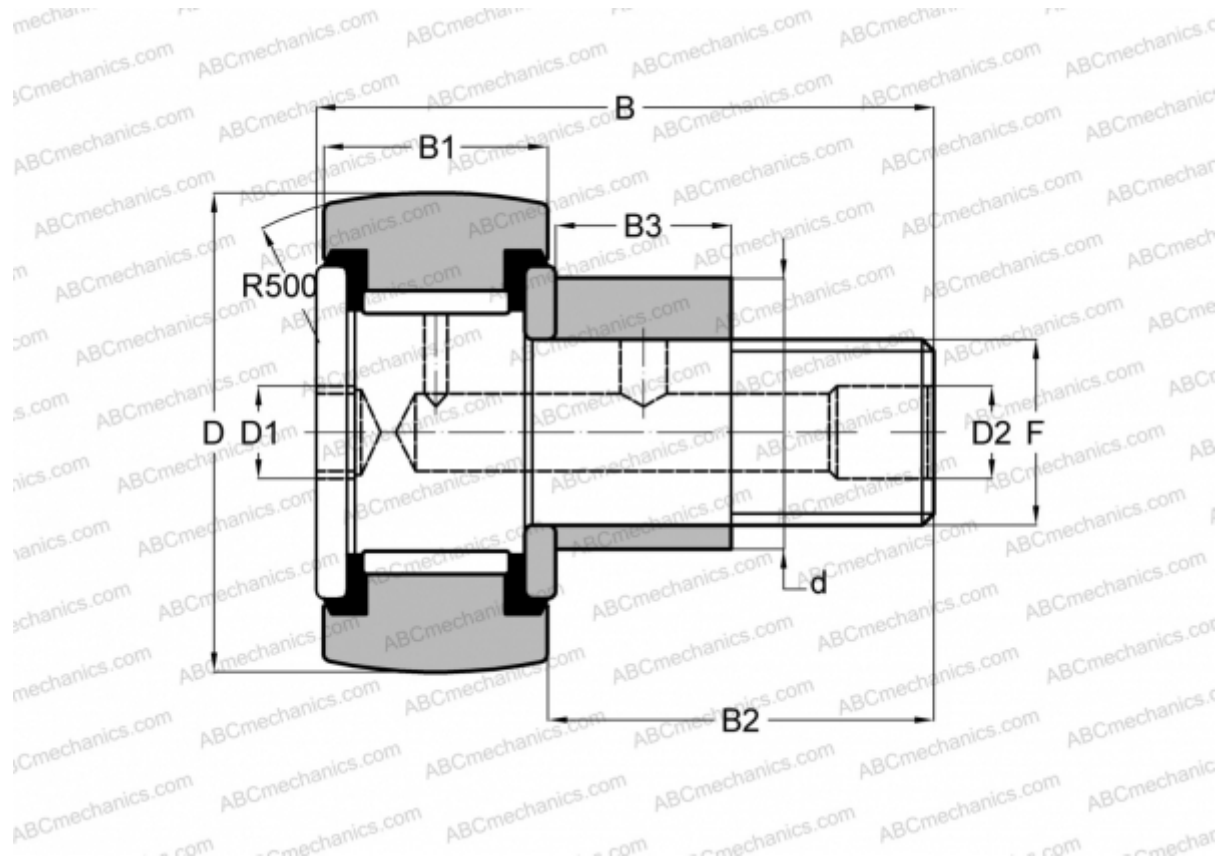


## CS 64 LWX RBC

Cam followers

TYPE: Roller bearings, Stud type track rollers, Eccentric stud, hex socket, contact seals on both side, inch size



### Technical specification

#### DIMENSIONS, MM

d	30,163
D	50,800
D1	7,938
D2	4,763
B	83,343
B1	31,750
B2	50,800
B3	25,400
T	25,400
F	7/8-14

**WEIGHT, KG** 0,635

**MANUFACTURER** [RBC](#)

#### INTERCHANGE

TORRINGTON	<a href="#">CRSBCE 32</a>
INA	<a href="#">CFE 32 PPY</a>
McGill	<a href="#">CCFE-2-SB</a>
SMITH BEARING	<a href="#">CR-2-XBCE</a>