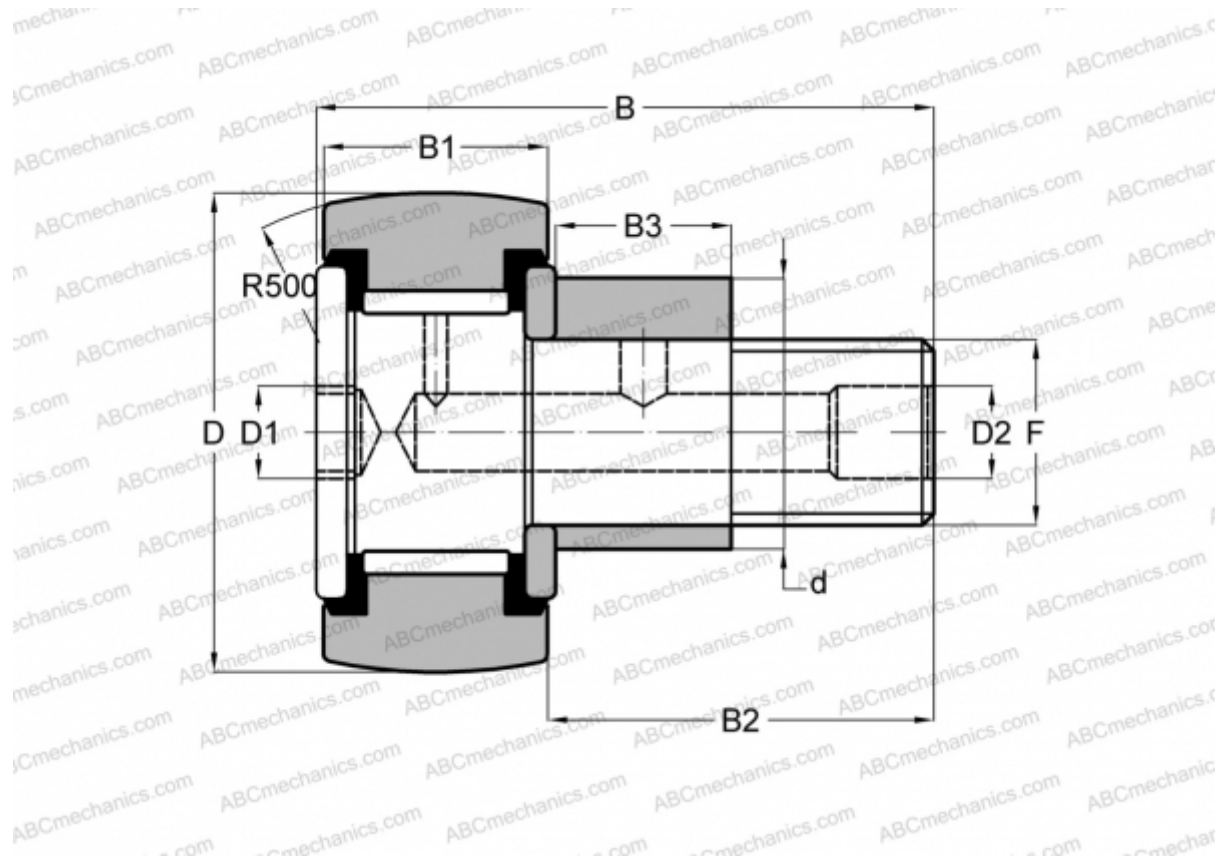


## CCFE-2 1/2 -SB McGill

Cam followers

TYPE: Roller bearings, Stud type track rollers, Eccentric stud, hex socket, contact seals on both side, inch size



### Technical specification

#### DIMENSIONS, MM

d	34,925
D	63,500
D1	12,700
D2	4,763
B	96,043
B1	38,100
B2	57,150
B3	28,575
T	28,575
F	1-14

**WEIGHT, KG** 1,179

**MANUFACTURER** [McGill](#)

#### INTERCHANGE

TORRINGTON	<a href="#">CRSBCE 40</a>
INA	<a href="#">CFE 40 PPY</a>
RBC	<a href="#">CS 80 LWX</a>
SMITH BEARING	<a href="#">CR-2 1/2 -XBCE</a>