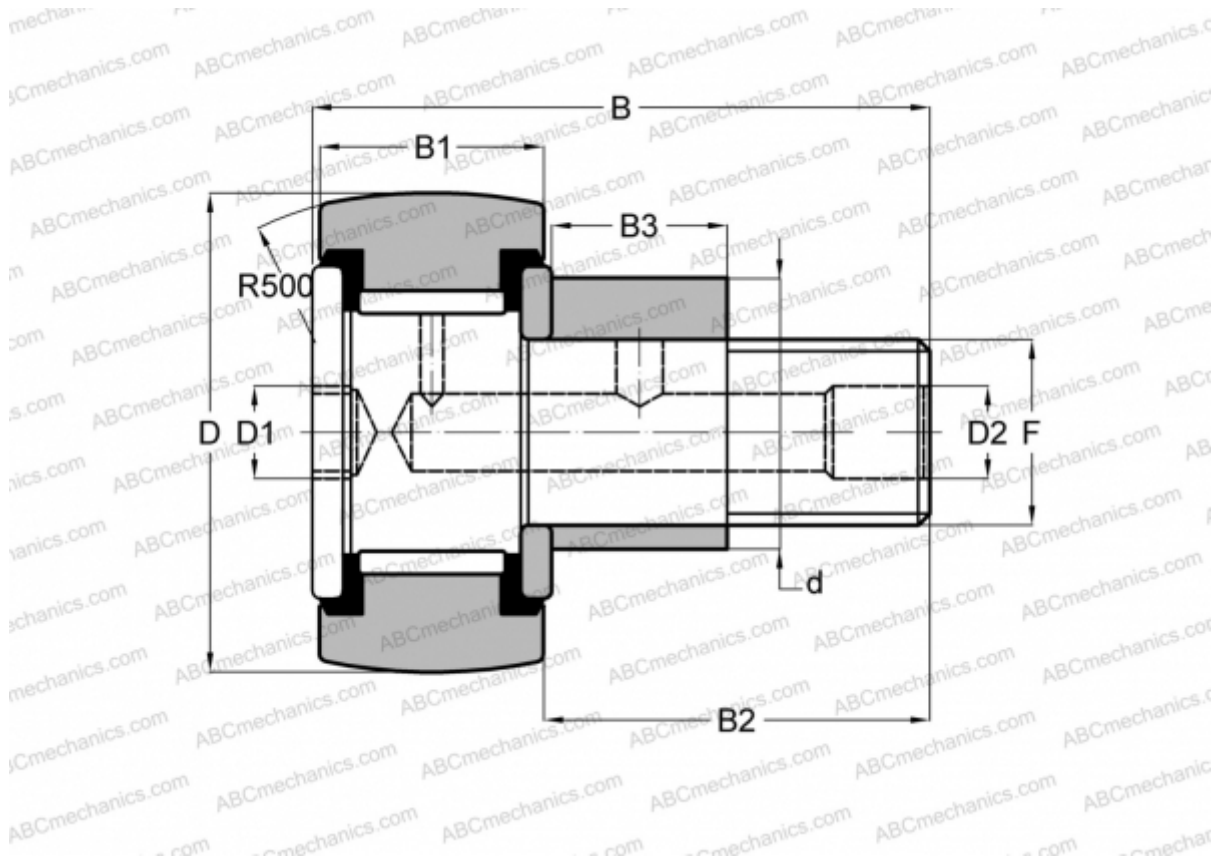


CS 80 LWX RBC

Cam followers

TYPE: Roller bearings, Stud type track rollers, Eccentric stud, hex socket, contact seals on both side, inch size



Technical specification

DIMENSIONS, MM

d	34,925
D	63,500
D1	12,700
D2	4,763
B	96,043
B1	38,100
B2	57,150
B3	28,575
T	28,575
F	1-14

WEIGHT, KG 1,179

MANUFACTURER [RBC](#)

INTERCHANGE

TORRINGTON	CRSBCE 40
INA	CFE 40 PPY
McGill	CCFE-2 1/2 -SB
SMITH BEARING	CR-2 1/2 -XBCE