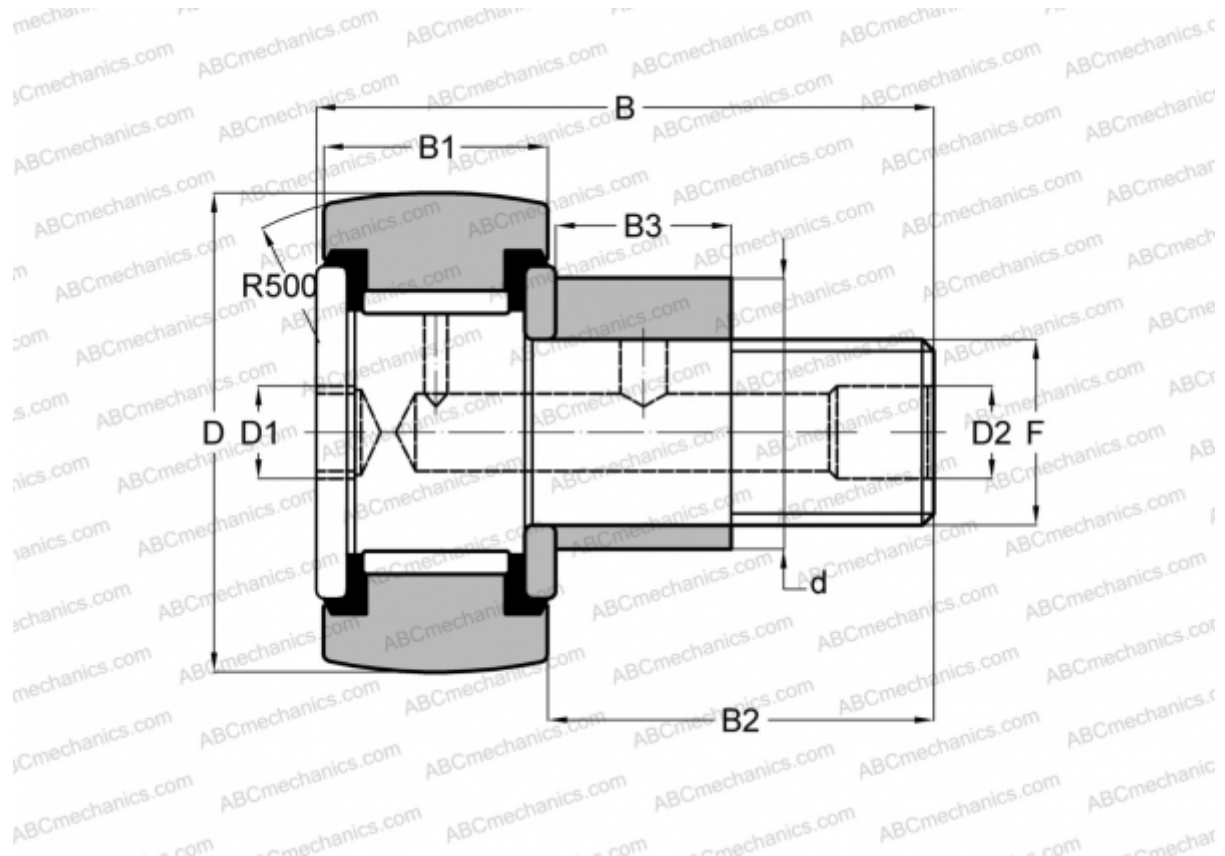


CCFE-2 3/4 -SB McGill

Cam followers

TYPE: Roller bearings, Stud type track rollers, Eccentric stud, hex socket, contact seals on both side, inch size



Technical specification

DIMENSIONS, MM

d	34,925
D	69,850
D1	12,700
D2	4,763
B	96,043
B1	38,100
B2	57,150
B3	28,575
T	28,575
F	1-14

WEIGHT, KG 1,374

MANUFACTURER [McGill](#)

INTERCHANGE

TORRINGTON	CRSBCE 44
INA	CFE 44 PPY
RBC	CS 88 LWX
SMITH BEARING	CR-2 3/4 -XBCE