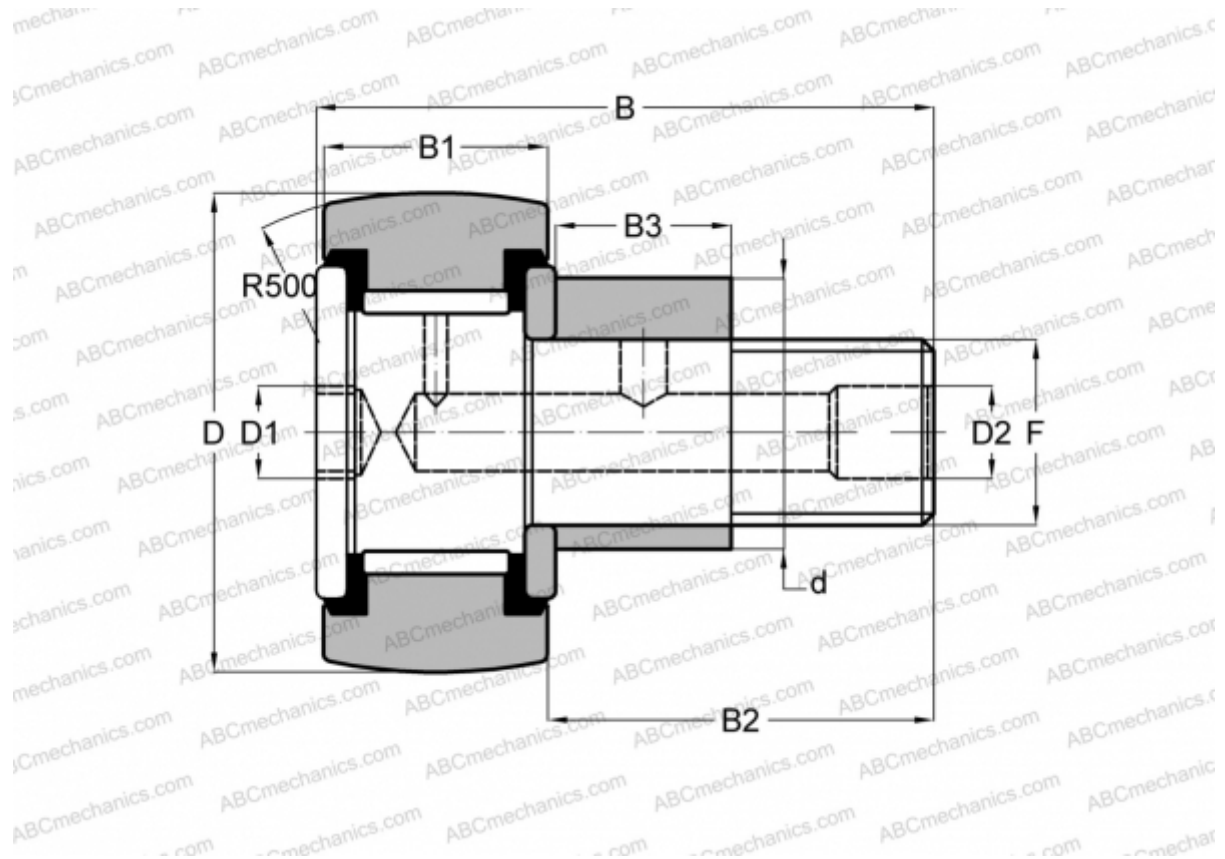


## CR-2 3/4 -XBCE SMITH BEARING

Cam followers

TYPE: Roller bearings, Stud type track rollers, Eccentric stud, hex socket, contact seals on both side, inch size



### Technical specification

#### DIMENSIONS, MM

d	34,925
D	69,850
D1	12,700
D2	4,763
B	96,043
B1	38,100
B2	57,150
B3	28,575
T	28,575
F	1-14

**WEIGHT, KG** 1,374

**MANUFACTURER** [SMITH BEARING](#)

#### INTERCHANGE

TORRINGTON	<a href="#">CRSBCE 44</a>
INA	<a href="#">CFE 44 PPY</a>
McGill	<a href="#">CCFE-2 3/4 -SB</a>
RBC	<a href="#">CS 88 LWX</a>