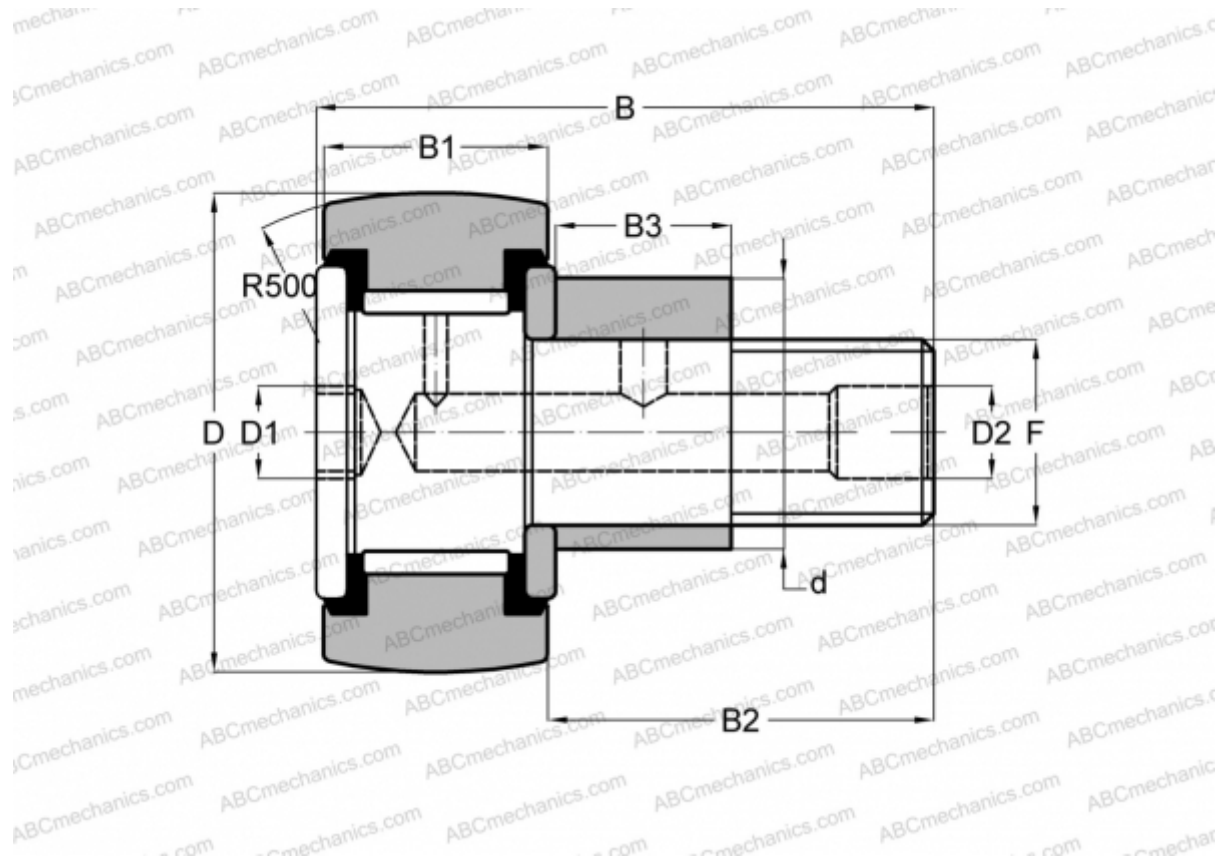


CS 96 LWX RBC

Cam followers

TYPE: Roller bearings, Stud type track rollers, Eccentric stud, hex socket, contact seals on both side, inch size



Technical specification

DIMENSIONS, MM

d	44,450
D	76,200
D1	15,875
D2	6,350
B	108,742
B1	44,450
B2	63,500
B3	31,750
T	31,750
F	1 1/4-12

WEIGHT, KG 2,000

MANUFACTURER [RBC](#)

INTERCHANGE

TORRINGTON	CRSBCE 48
INA	CFE 48 PPY
McGill	CCFE-3-SB
SMITH BEARING	CR-3-XBCE