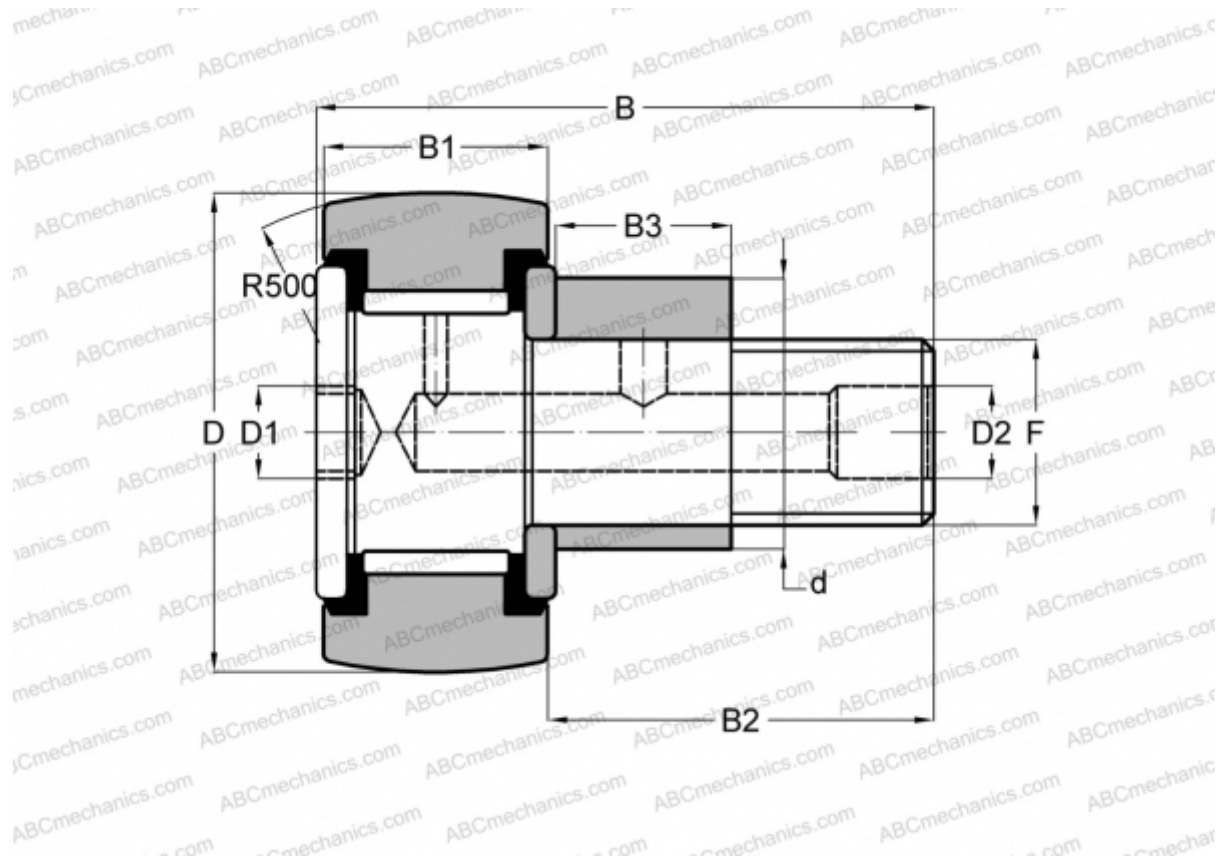


CCFE-3 1/4 -SB McGill

Cam followers

TYPE: Roller bearings, Stud type track rollers, Eccentric stud, hex socket, contact seals on both side, inch size



Technical specification

DIMENSIONS, MM

d	44,450
D	82,550
D1	15,875
D2	6,350
B	108,742
B1	44,450
B2	63,500
B3	31,750
T	31,750
F	1 1/4-12

WEIGHT, KG 2,295

MANUFACTURER [McGill](#)

INTERCHANGE

TORRINGTON	CRSBCE 52
INA	CFE 52 PPY
RBC	CS 104 LWX
SMITH BEARING	CR-3 1/4 -XBCE