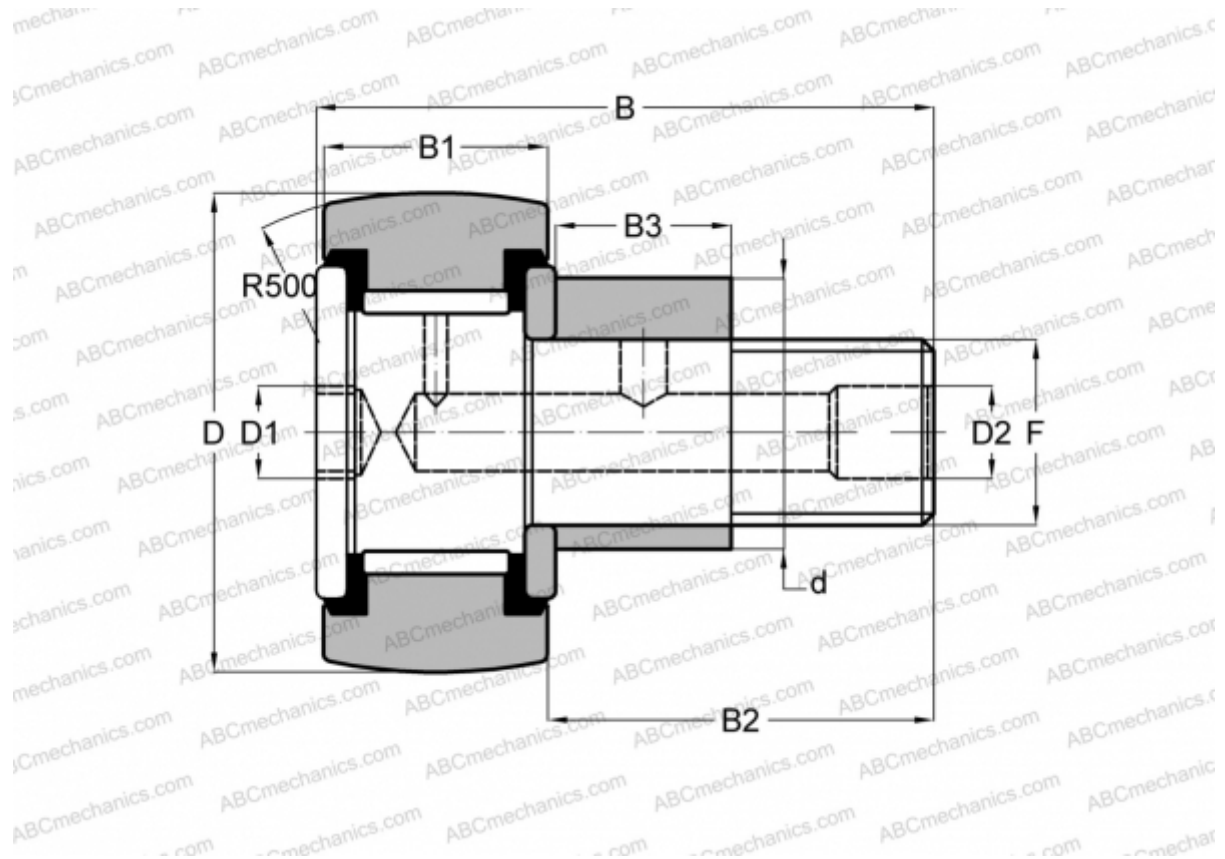


## CS 104 LWX RBC

Cam followers

TYPE: Roller bearings, Stud type track rollers, Eccentric stud, hex socket, contact seals on both side, inch size



### Technical specification

#### DIMENSIONS, MM

d	44,450
D	82,550
D1	15,875
D2	6,350
B	108,742
B1	44,450
B2	63,500
B3	31,750
T	31,750
F	1 1/4-12

**WEIGHT, KG** 2,295

**MANUFACTURER** [RBC](#)

#### INTERCHANGE

TORRINGTON	<a href="#">CRSBCE 52</a>
INA	<a href="#">CFE 52 PPY</a>
McGill	<a href="#">CCFE-3 1/4 -SB</a>
SMITH BEARING	<a href="#">CR-3 1/4 -XBCE</a>