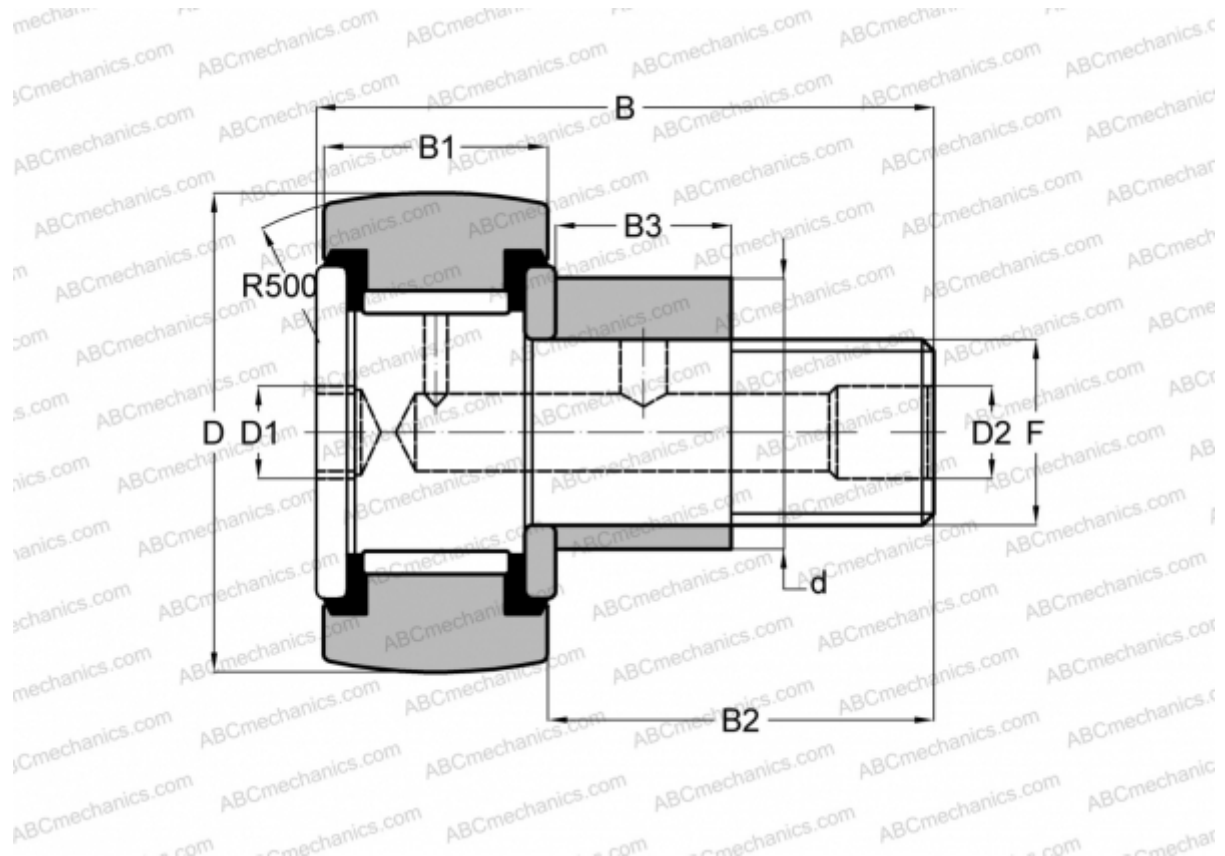


CCFE-3 1/2 -SB McGill

Cam followers

TYPE: Roller bearings, Stud type track rollers, Eccentric stud, hex socket, contact seals on both side, inch size



Technical specification

DIMENSIONS, MM

d	46,038
D	88,900
D1	15,875
D2	6,350
B	121,442
B1	50,800
B2	69,850
B3	34,925
T	34,925
F	1 3/8-12

INTERCHANGE

TORRINGTON	CRSBCE 56
INA	CFE 56 PPY
RBC	CS 112 LWX

WEIGHT, KG 3,107

MANUFACTURER [McGill](#)