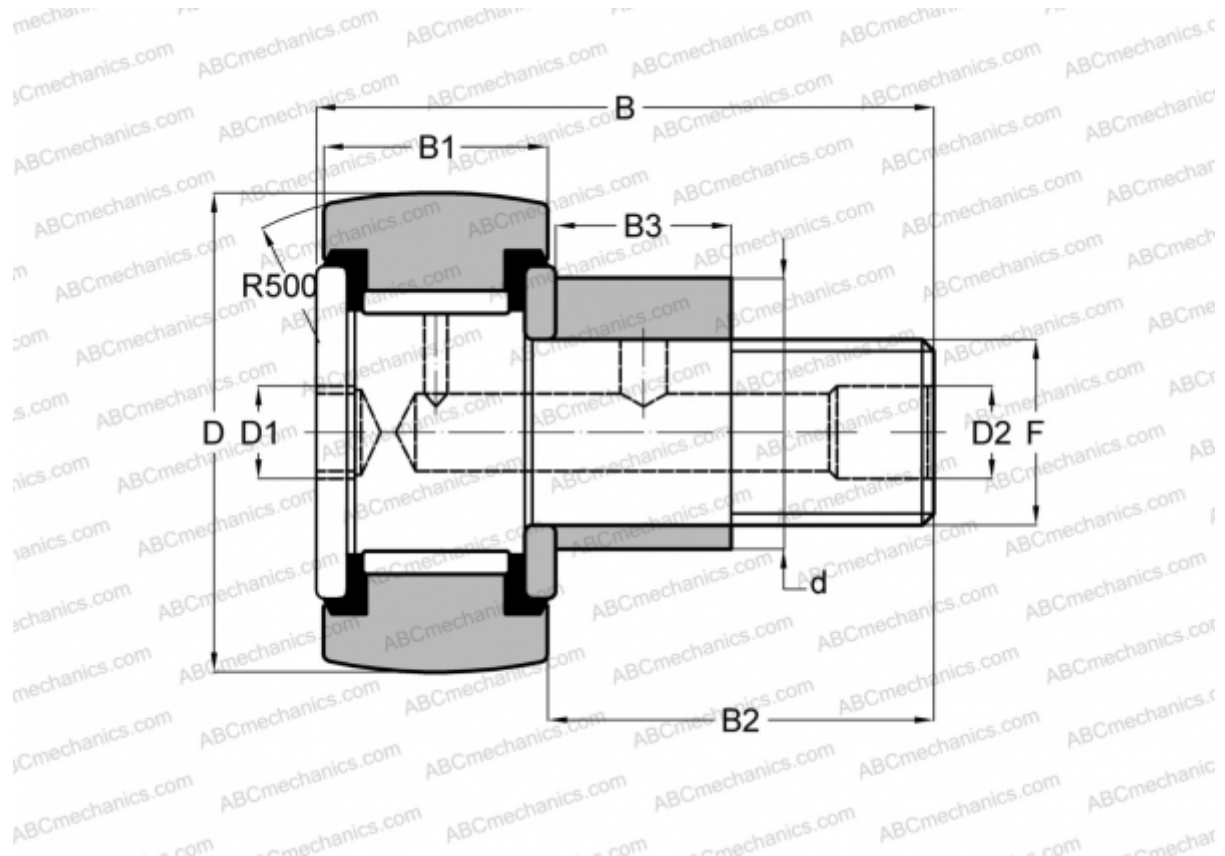


CCFE-4-SB McGill

Cam followers

TYPE: Roller bearings, Stud type track rollers, Eccentric stud, hex socket, contact seals on both side, inch size



Technical specification

DIMENSIONS, MM

d	50,800
D	101,600
D1	19,050
D2	6,350
B	146,842
B1	57,150
B2	88,900
B3	38,100
T	50,800
F	1 1/2-12

WEIGHT, KG 4,745

MANUFACTURER [McGill](#)

INTERCHANGE

TORRINGTON	CRSBCE 64
INA	CFE 64 PPY
RBC	CS 128 LWX