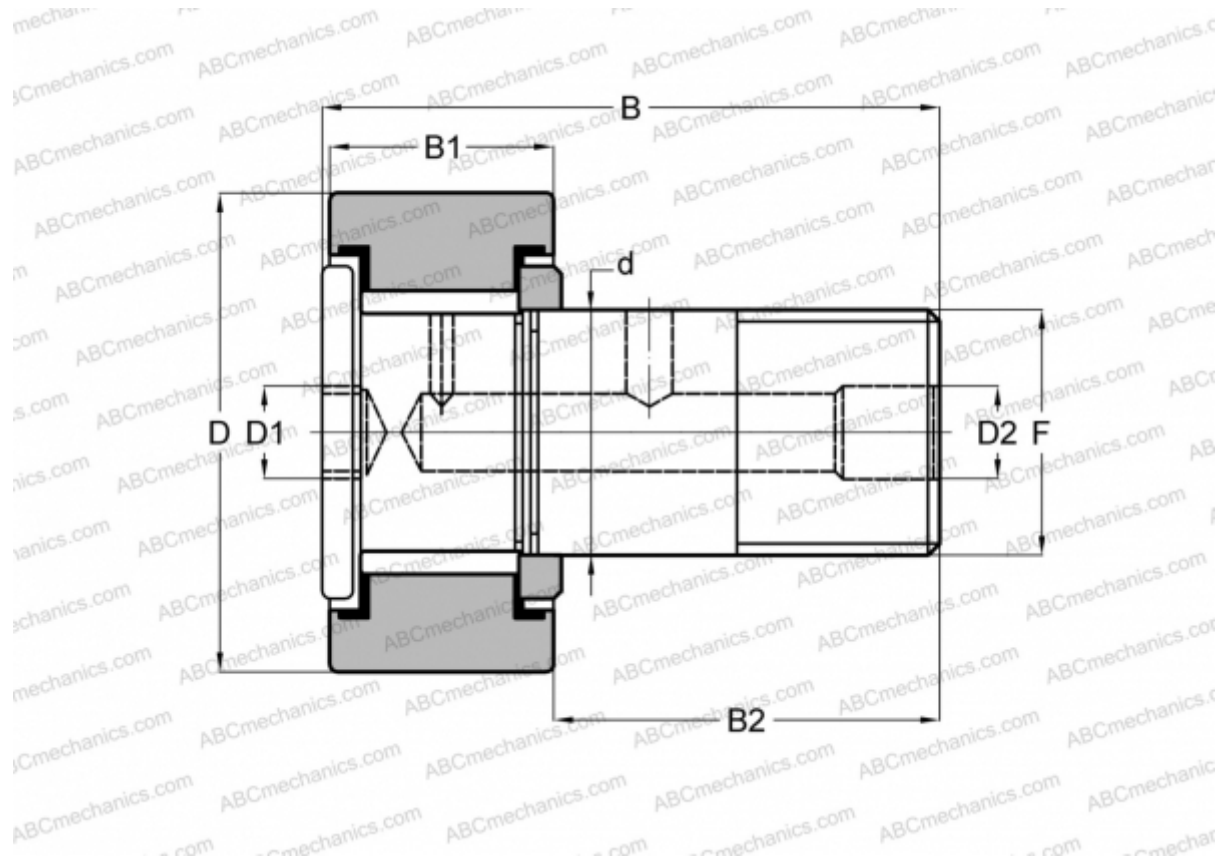


CFH 5/8 SB McGill

Cam followers

TYPE: Roller bearings, Stud type track rollers, Heavy duty stud, hex socket, contact seals on both side, cylindrical outer ring, inch size



Technical specification

DIMENSIONS, MM

| | |
|----|---------|
| d | 7,938 |
| D | 15,875 |
| D1 | 3,175 |
| B | 30,955 |
| B1 | 11,113 |
| B2 | 19,050 |
| F | 5/16-24 |

WEIGHT, KG 0,027

MANUFACTURER [McGill](#)

INTERCHANGE

| | |
|---------------|----------------------------|
| TORRINGTON | CRHSB 10-1 |
| RBC | H 20 LW |
| SMITH BEARING | HR 5/8 XB |