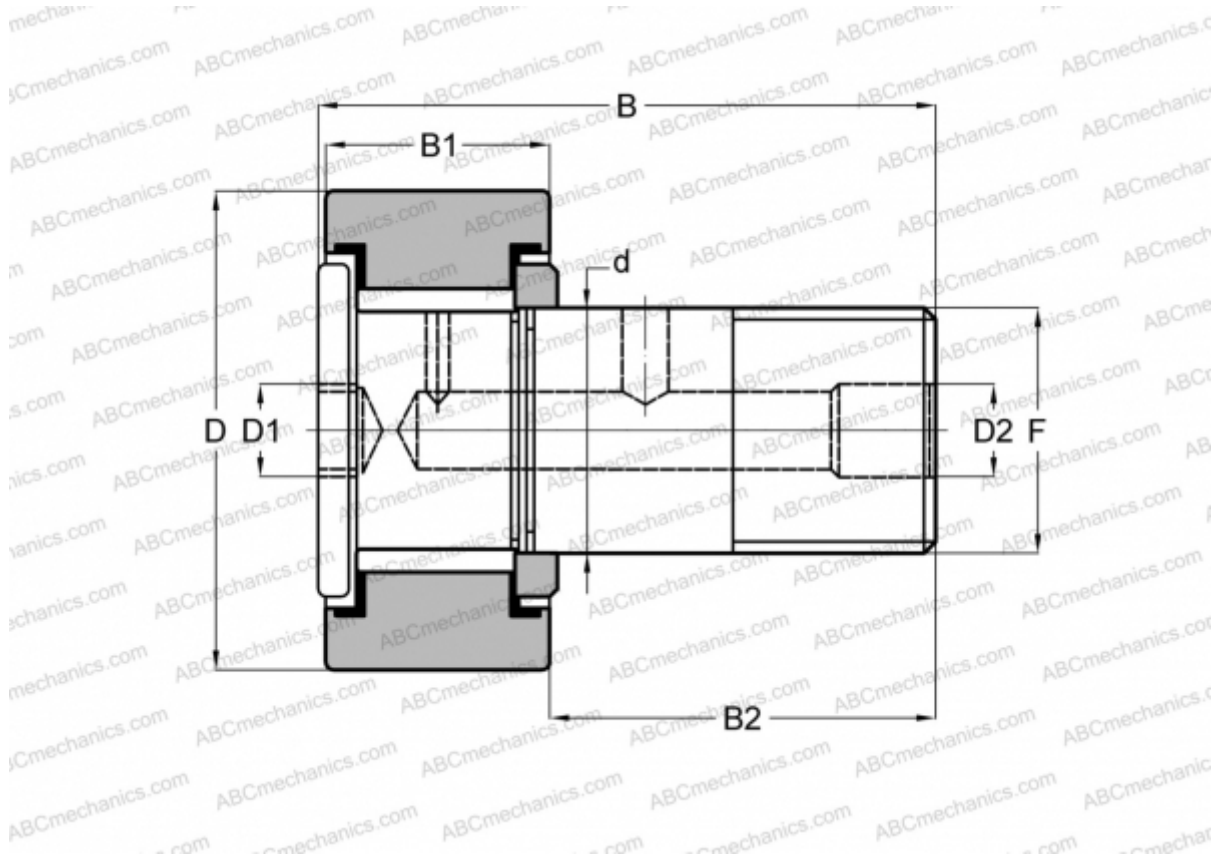


CRHSB 12 TORRINGTON

Cam followers

TYPE: Roller bearings, Stud type track rollers, Heavy duty stud, hex socket, contact seals on both side, cylindrical outer ring, inch size



Technical specification

DIMENSIONS, MM

d	11,113
D	19,050
D1	4,763
D2	4,763
B	35,718
B1	12,700
B2	22,225
F	7/16-20

INTERCHANGE

SMITH BEARING

[HR 3/4 XB](#)

WEIGHT, KG

0,041

MANUFACTURER

[TORRINGTON](#)

INTERCHANGE

McGill

[CFH 3/4 SB](#)

RBC

[H 24 LW](#)