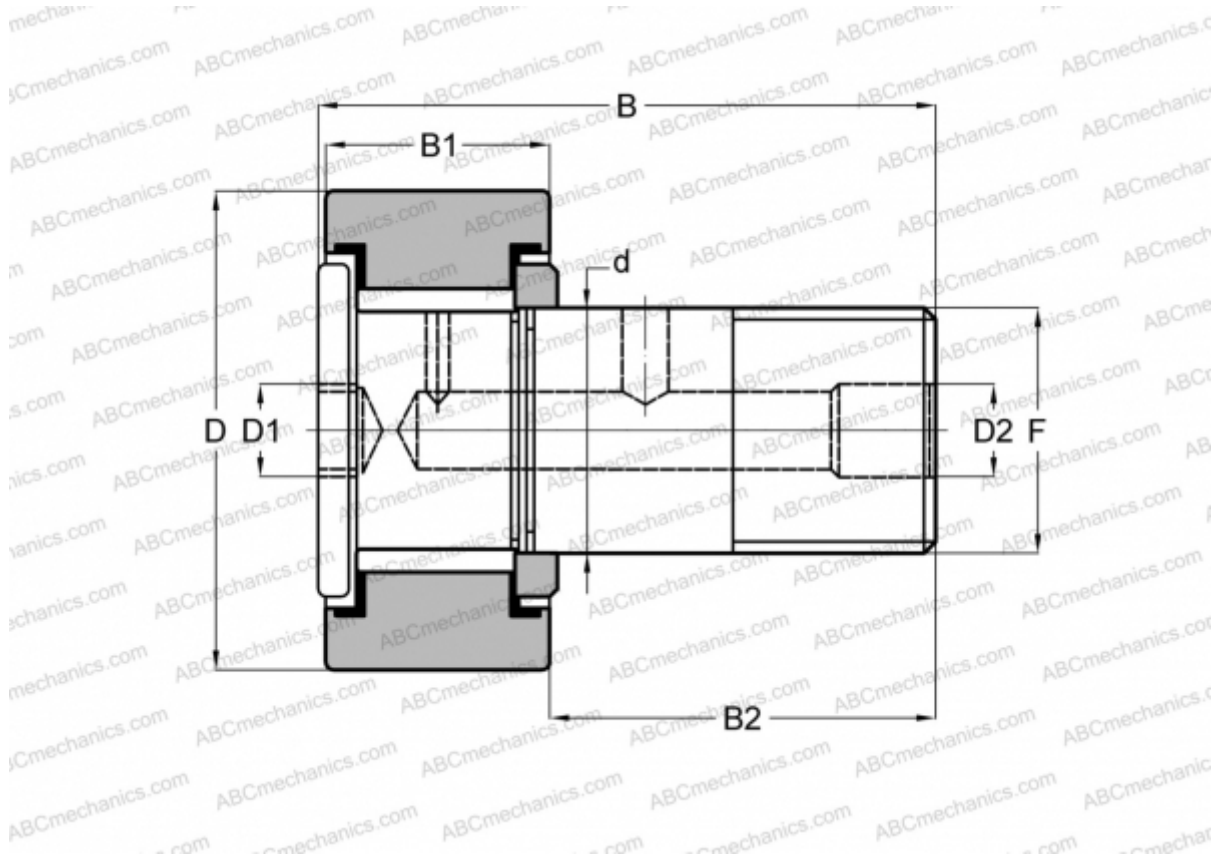


CFH 3/4 SB McGill

Cam followers

TYPE: Roller bearings, Stud type track rollers, Heavy duty stud, hex socket, contact seals on both side, cylindrical outer ring, inch size



Technical specification

DIMENSIONS, MM

d	11,113
D	19,050
D1	4,763
D2	4,763
B	35,718
B1	12,700
B2	22,225
F	7/16-20

INTERCHANGE

SMITH BEARING

[HR 3/4 XB](#)

WEIGHT, KG 0,041

MANUFACTURER [McGill](#)

INTERCHANGE

TORRINGTON [CRHSB 12](#)
 RBC [H 24 LW](#)