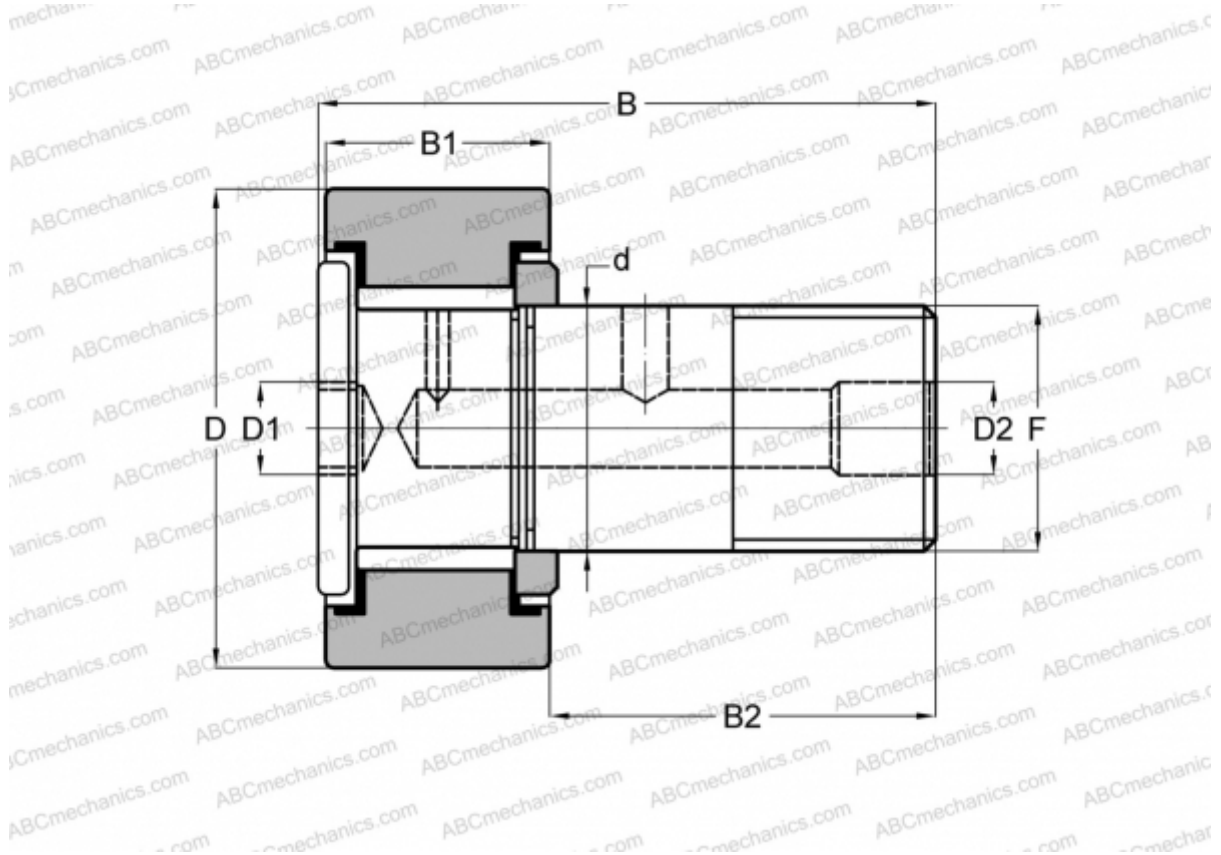


HR 3/4 XB SMITH BEARING

Cam followers

TYPE: Roller bearings, Stud type track rollers, Heavy duty stud, hex socket, contact seals on both side, cylindrical outer ring, inch size



Technical specification

DIMENSIONS, MM

d	11,113
D	19,050
D1	4,763
D2	4,763
B	35,718
B1	12,700
B2	22,225
F	7/16-20

INTERCHANGE

RBC	H 24 LW
-----	-------------------------

WEIGHT, KG 0,041

MANUFACTURER [SMITH BEARING](#)

INTERCHANGE

TORRINGTON	CRHSB 12
McGill	CFH 3/4 SB