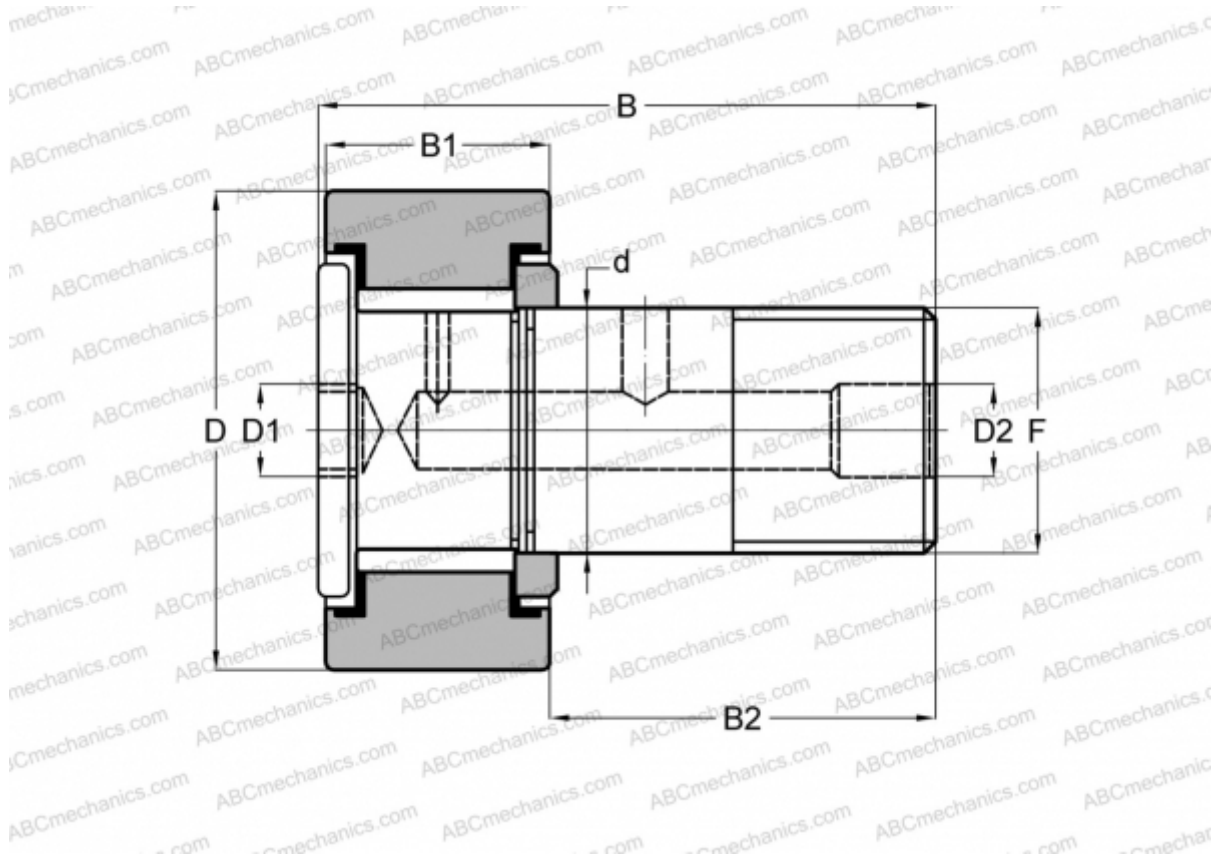


## H 28 LW RBC

Cam followers

TYPE: Roller bearings, Stud type track rollers, Heavy duty stud, hex socket, contact seals on both side, cylindrical outer ring, inch size



### Technical specification

#### DIMENSIONS, MM

d	11,113
D	22,225
D1	4,763
D2	4,763
B	35,718
B1	12,700
B2	22,225
F	7/16-20

#### INTERCHANGE

SMITH BEARING

[HR 7/8 XB](#)

#### WEIGHT, KG

0,050

#### MANUFACTURER

[RBC](#)

#### INTERCHANGE

TORRINGTON

[CRHSB 14](#)

McGill

[CFH 7/8 SB](#)