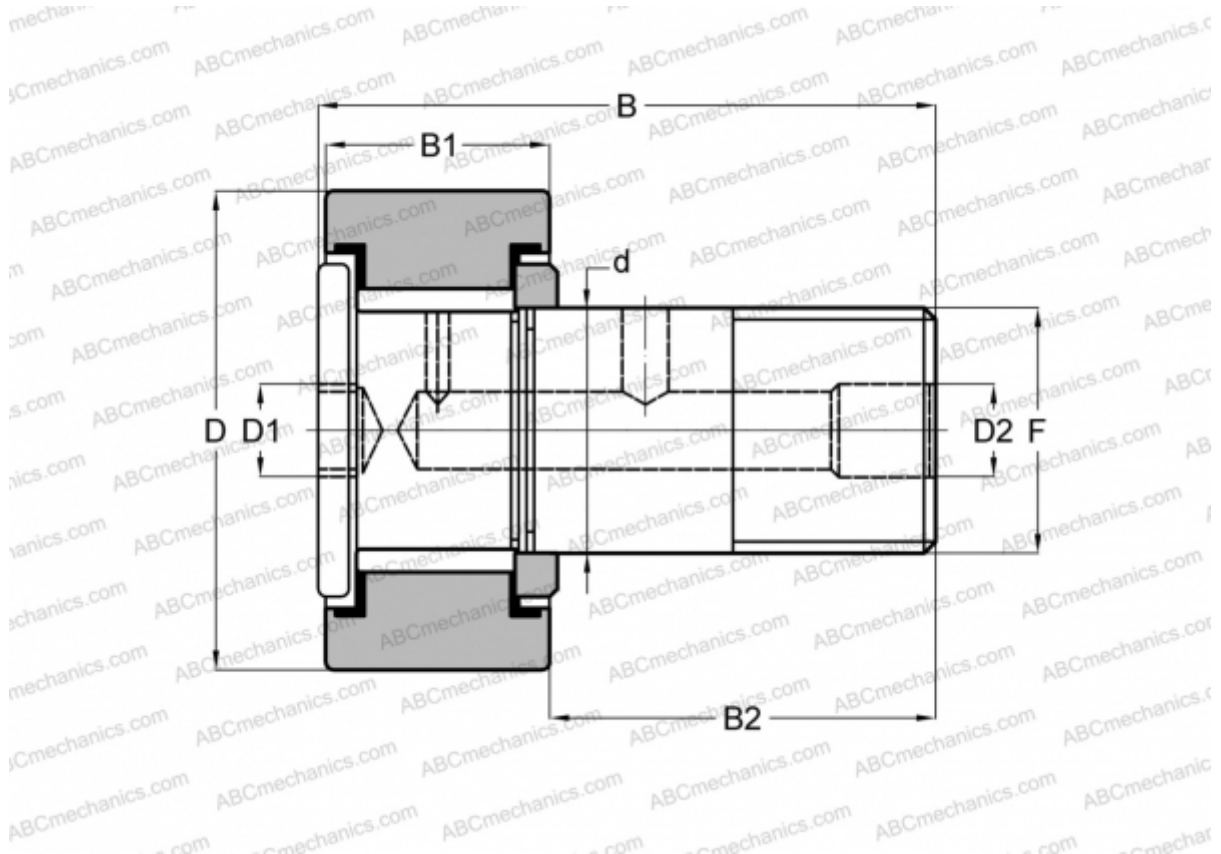


## HR 7/8 XB SMITH BEARING

Cam followers

TYPE: Roller bearings, Stud type track rollers, Heavy duty stud, hex socket, contact seals on both side, cylindrical outer ring, inch size



### Technical specification

#### DIMENSIONS, MM

d	11,113
D	22,225
D1	4,763
D2	4,763
B	35,718
B1	12,700
B2	22,225
F	7/16-20

#### INTERCHANGE

RBC	<a href="#">H 28 LW</a>
-----	-------------------------

**WEIGHT, KG** 0,050

**MANUFACTURER** [SMITH BEARING](#)

#### INTERCHANGE

TORRINGTON	<a href="#">CRHSB 14</a>
McGill	<a href="#">CFH 7/8 SB</a>