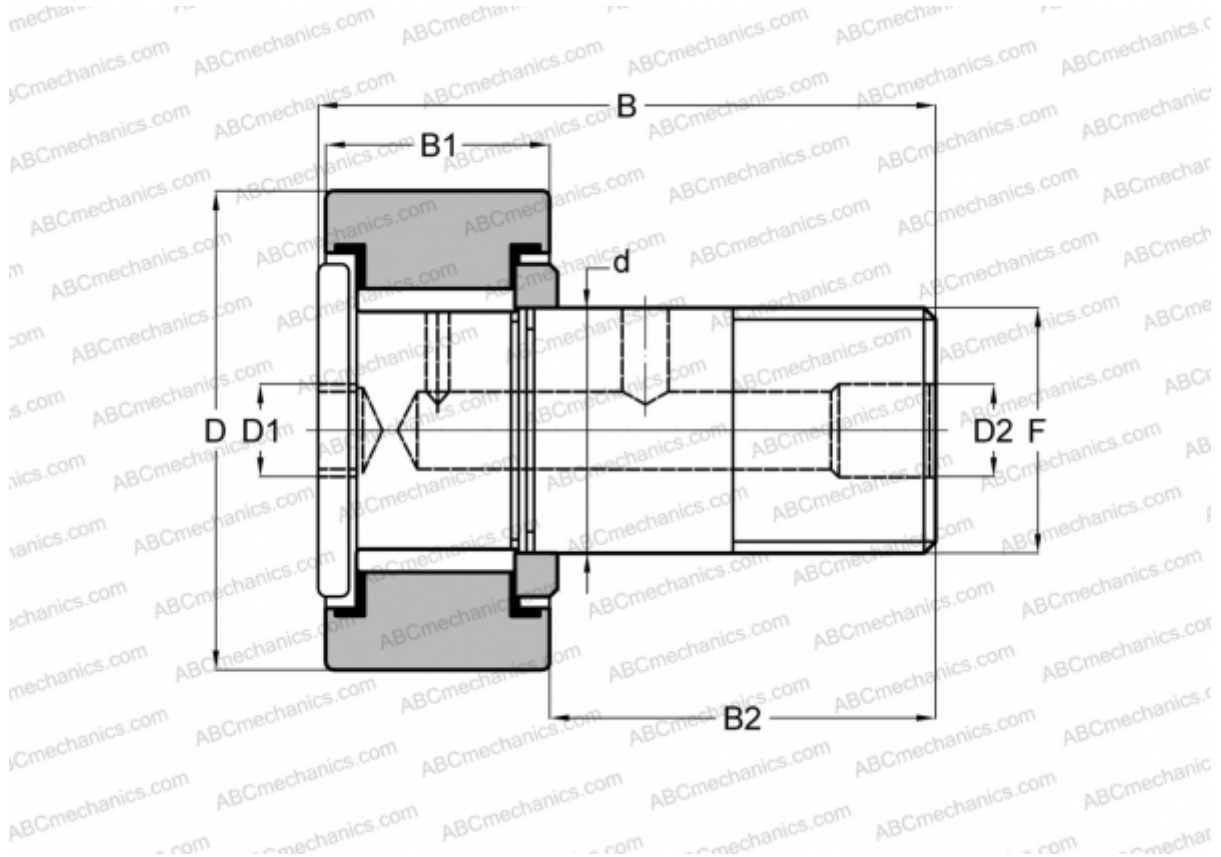


## H 32 LW RBC

Cam followers

TYPE: Roller bearings, Stud type track rollers, Heavy duty stud, hex socket, contact seals on both side, cylindrical outer ring, inch size



### Technical specification

#### DIMENSIONS, MM

d	15,875
D	25,400
D1	6,350
D2	4,763
B	42,068
B1	15,875
B2	25,400
F	5/8-18

**WEIGHT, KG** 0,095

**MANUFACTURER** [RBC](#)

#### INTERCHANGE

TORRINGTON	<a href="#">CRHSB 16</a>
McGill	<a href="#">CFH 1 SB</a>

#### INTERCHANGE

SMITH BEARING

[HR 1 XB](#)