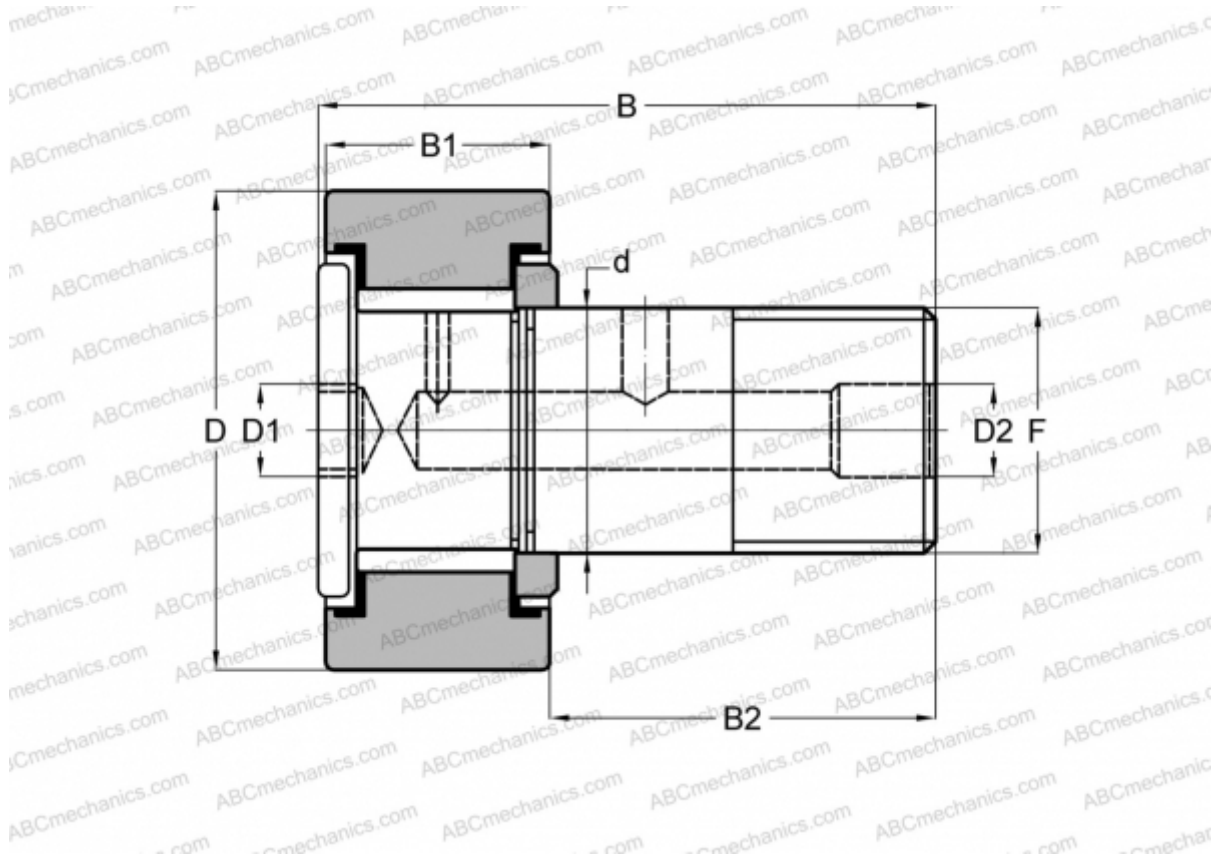


CRHSB 18 TORRINGTON

Cam followers

TYPE: Roller bearings, Stud type track rollers, Heavy duty stud, hex socket, contact seals on both side, cylindrical outer ring, inch size



Technical specification

DIMENSIONS, MM

d	15,875
D	28,575
D1	6,350
D2	4,763
B	42,068
B1	15,875
B2	25,400
F	5/8-18

INTERCHANGE

SMITH BEARING	HR 1 1/8 XB
---------------	-----------------------------

WEIGHT, KG 0,113

MANUFACTURER [TORRINGTON](#)

INTERCHANGE

McGill	CFH 1 1/8 SB
RBC	H 36 LW