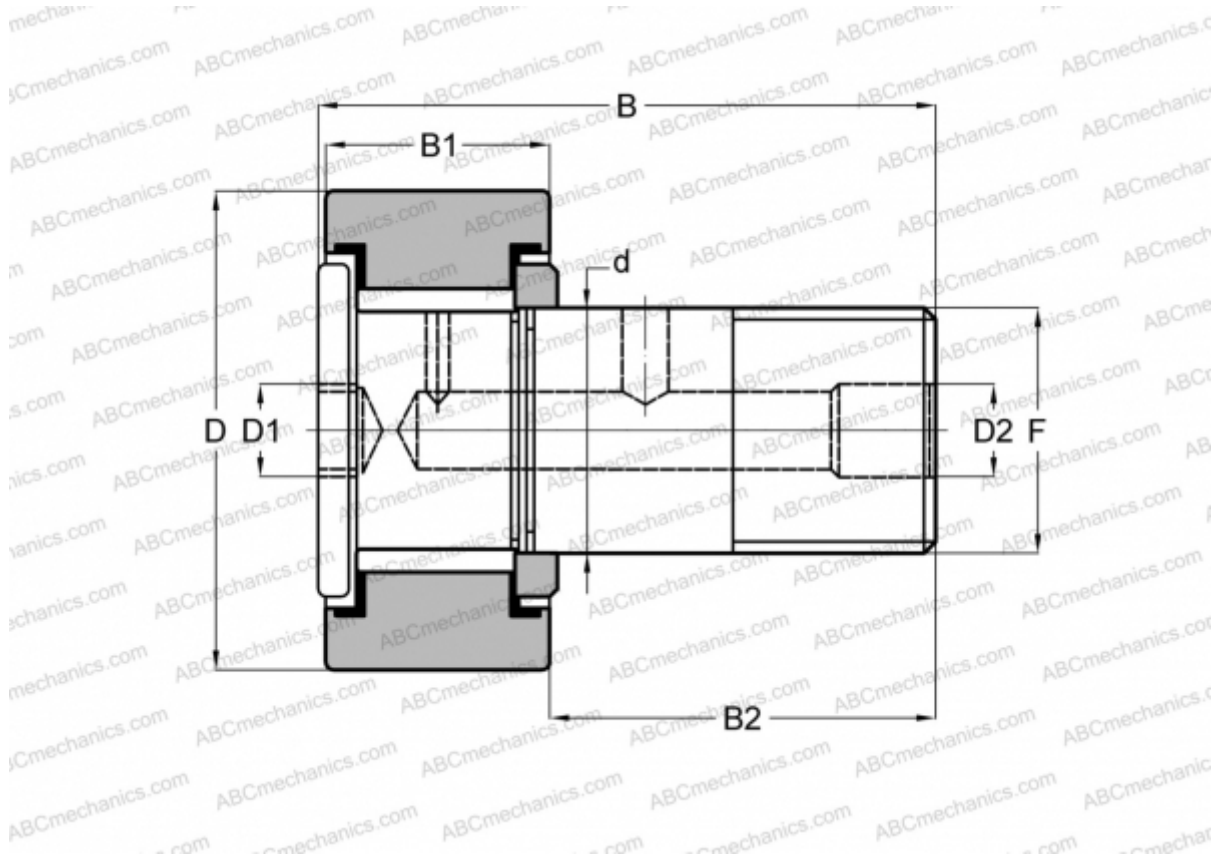


CFH 1 1/8 SB McGill

Cam followers

TYPE: Roller bearings, Stud type track rollers, Heavy duty stud, hex socket, contact seals on both side, cylindrical outer ring, inch size



Technical specification

DIMENSIONS, MM

d	15,875
D	28,575
D1	6,350
D2	4,763
B	42,068
B1	15,875
B2	25,400
F	5/8-18

INTERCHANGE

SMITH BEARING

[HR 1 1/8 XB](#)

WEIGHT, KG

0,113

MANUFACTURER

[McGill](#)

INTERCHANGE

TORRINGTON

[CRHSB 18](#)

RBC

[H 36 LW](#)