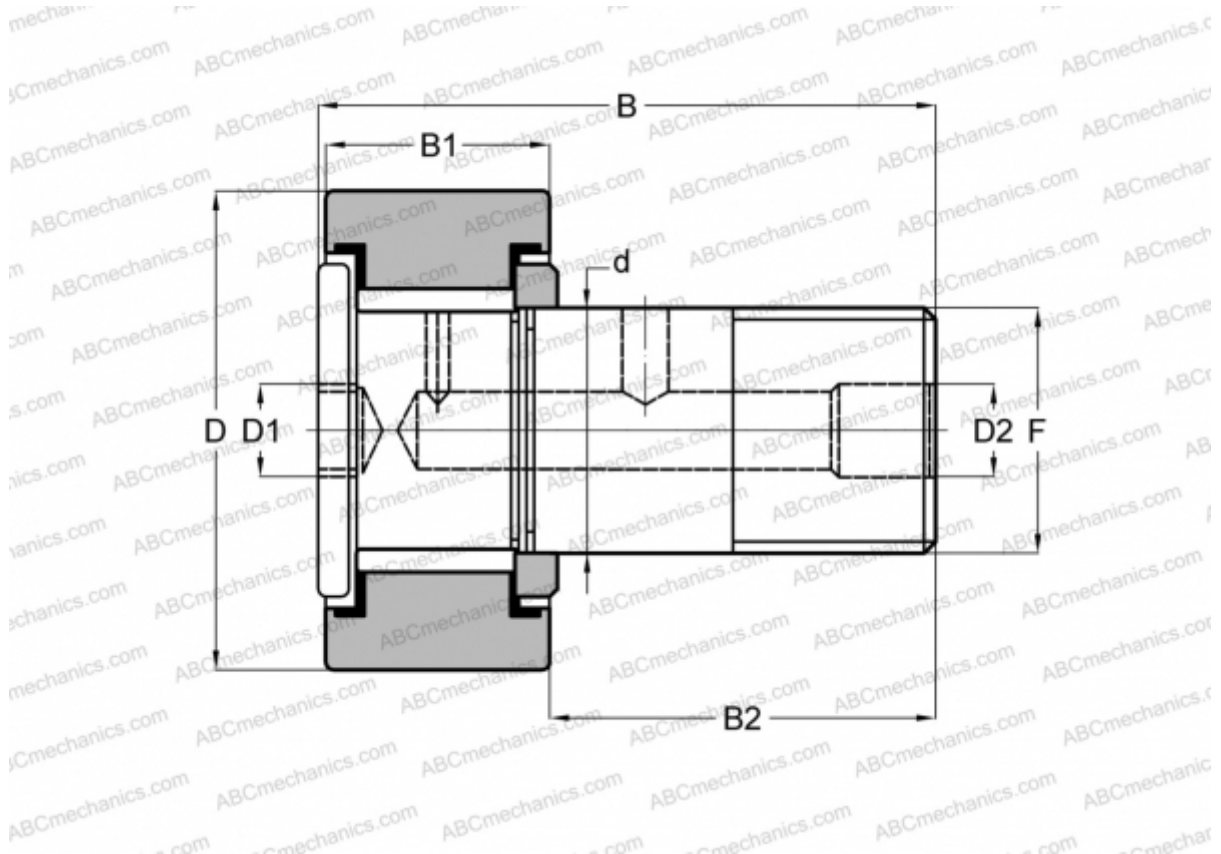


## H 36 LW RBC

Cam followers

TYPE: Roller bearings, Stud type track rollers, Heavy duty stud, hex socket, contact seals on both side, cylindrical outer ring, inch size



### Technical specification

#### DIMENSIONS, MM

d	15,875
D	28,575
D1	6,350
D2	4,763
B	42,068
B1	15,875
B2	25,400
F	5/8-18

**WEIGHT, KG** 0,113

**MANUFACTURER** [RBC](#)

#### INTERCHANGE

TORRINGTON [CRHSB 18](#)  
 McGill [CFH 1 1/8 SB](#)

#### INTERCHANGE

SMITH BEARING [HR 1 1/8 XB](#)