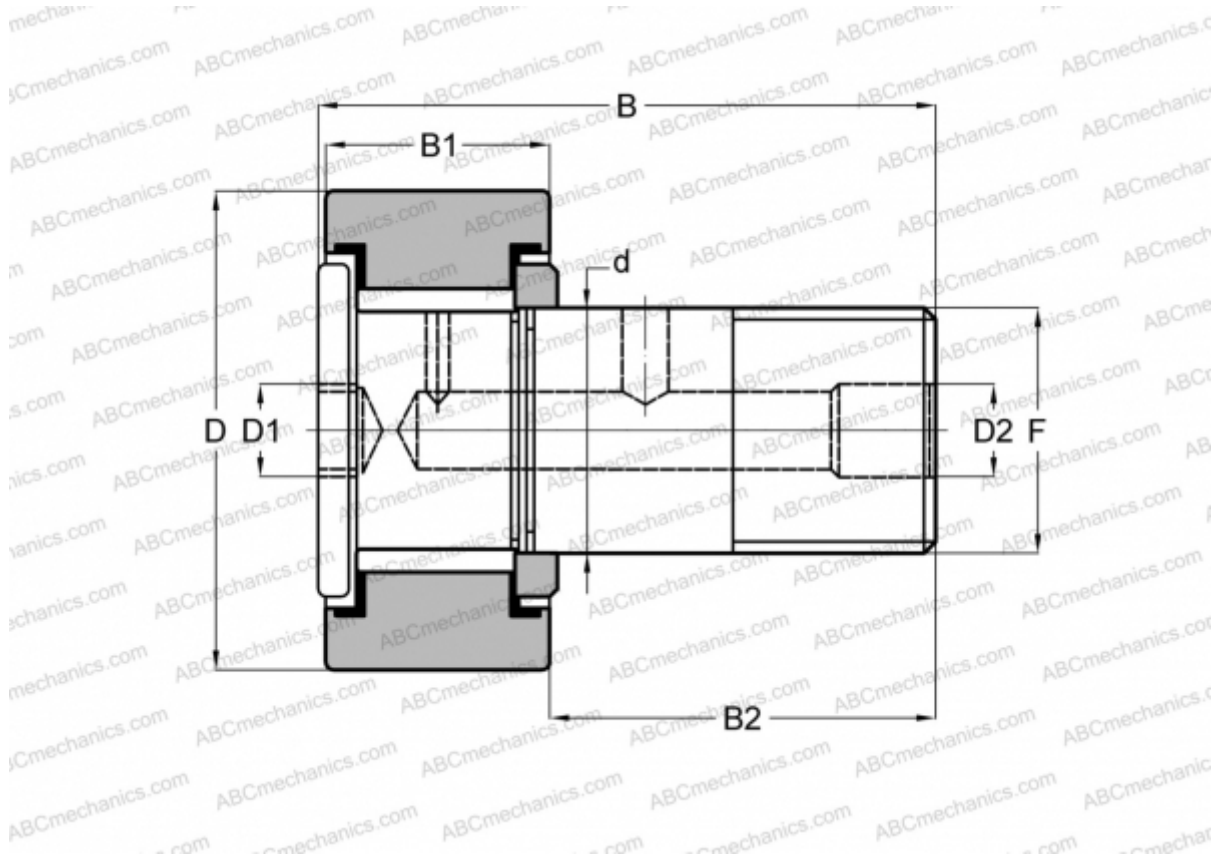


HR 1 1/8 XB SMITH BEARING

Cam followers

TYPE: Roller bearings, Stud type track rollers, Heavy duty stud, hex socket, contact seals on both side, cylindrical outer ring, inch size



Technical specification

DIMENSIONS, MM

d	15,875
D	28,575
D1	6,350
D2	4,763
B	42,068
B1	15,875
B2	25,400
F	5/8-18

INTERCHANGE

RBC	H 36 LW
-----	-------------------------

WEIGHT, KG 0,113

MANUFACTURER [SMITH BEARING](#)

INTERCHANGE
 TORRINGTON [CRHSB 18](#)
 McGill [CFH 1 1/8 SB](#)