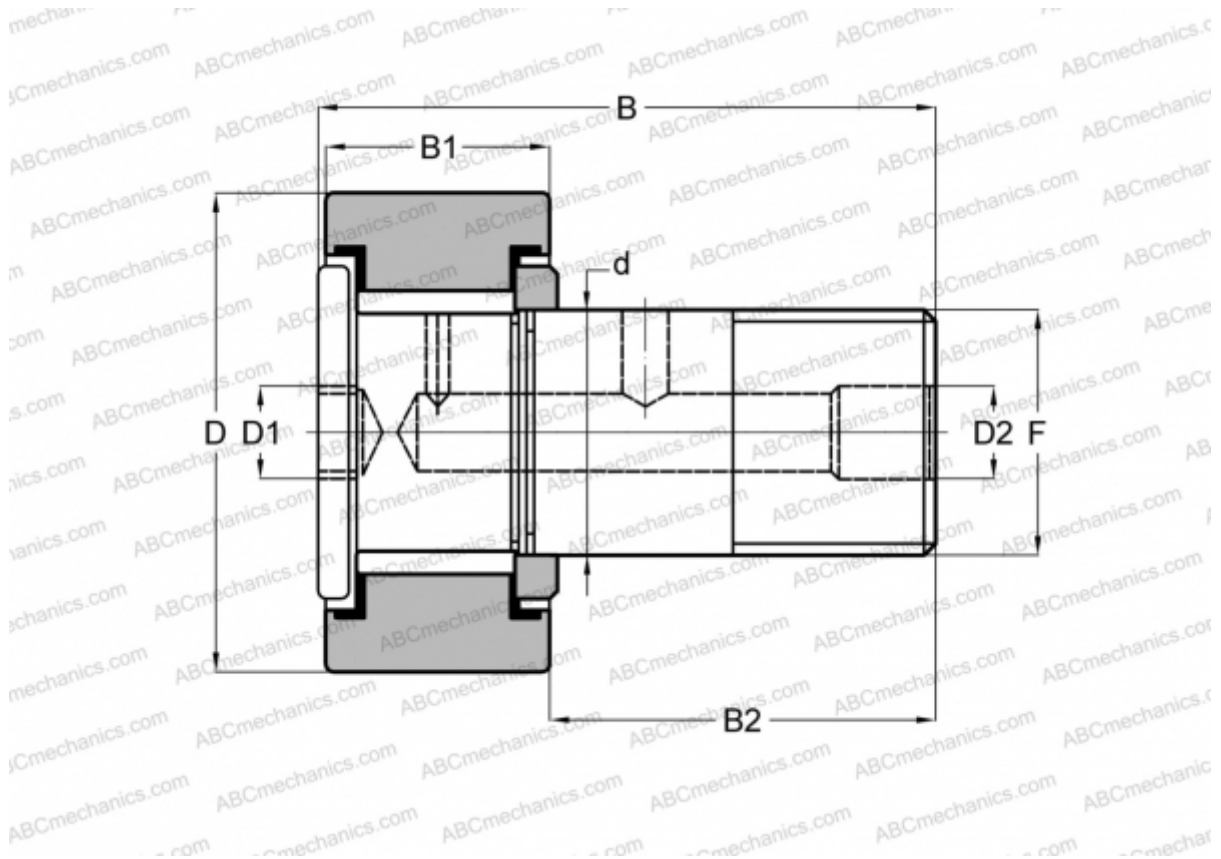


## CRHSB 20 TORRINGTON

Cam followers

TYPE: Roller bearings, Stud type track rollers, Heavy duty stud, hex socket, contact seals on both side, cylindrical outer ring, inch size



### Technical specification

#### DIMENSIONS, MM

d	19,050
D	31,750
D1	6,350
D2	4,763
B	51,593
B1	19,050
B2	31,750
F	3/4-16

#### INTERCHANGE

SMITH BEARING

[HR 1 1/4 XB](#)

**WEIGHT, KG** 0,177

**MANUFACTURER** [TORRINGTON](#)

#### INTERCHANGE

McGill [CFH 1 1/4 SB](#)  
 RBC [H 40 LW](#)