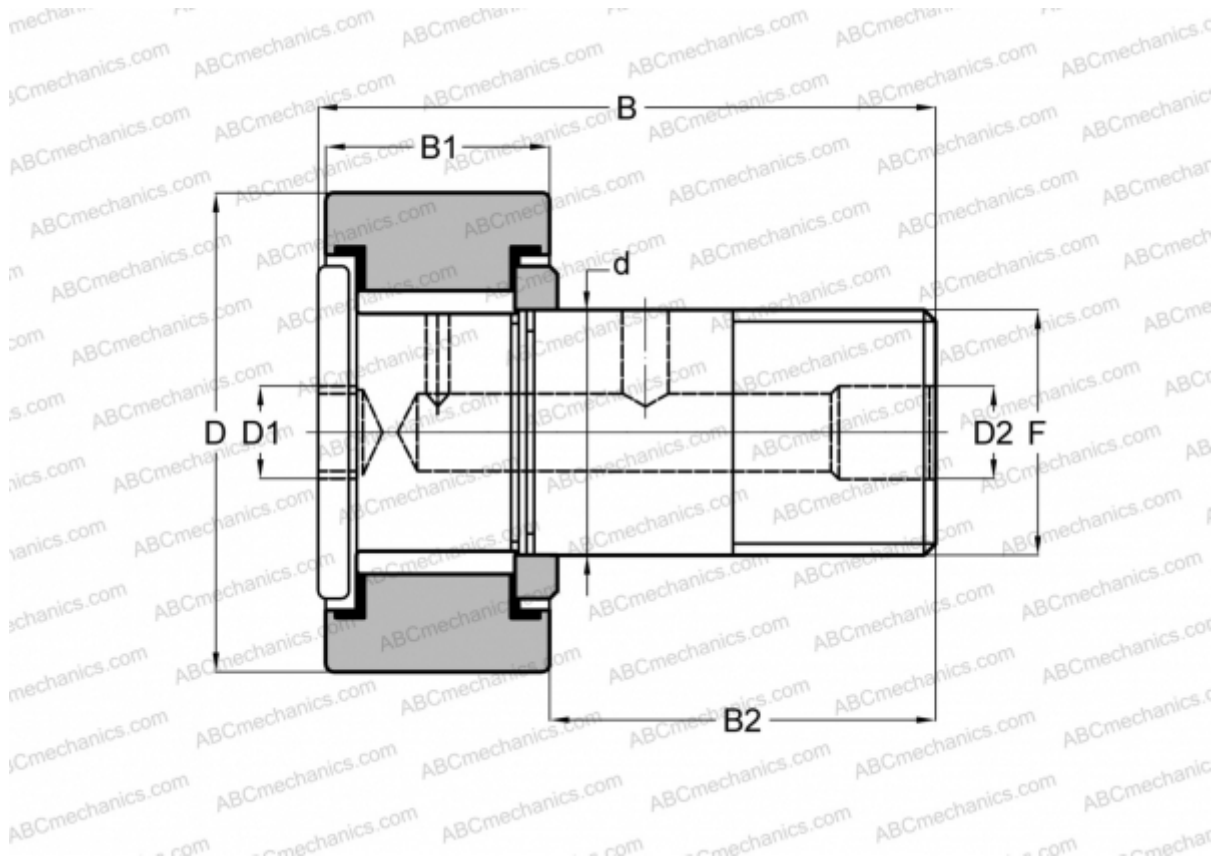


HR 1 1/4 XB SMITH BEARING

Cam followers

TYPE: Roller bearings, Stud type track rollers, Heavy duty stud, hex socket, contact seals on both side, cylindrical outer ring, inch size



Technical specification

DIMENSIONS, MM

d	19,050
D	31,750
D1	6,350
D2	4,763
B	51,593
B1	19,050
B2	31,750
F	3/4-16

WEIGHT, KG 0,177

MANUFACTURER [SMITH BEARING](#)

INTERCHANGE

TORRINGTON [CRHSB 20](#)
 McGill [CFH 1 1/4 SB](#)

INTERCHANGE

RBC [H 40 LW](#)