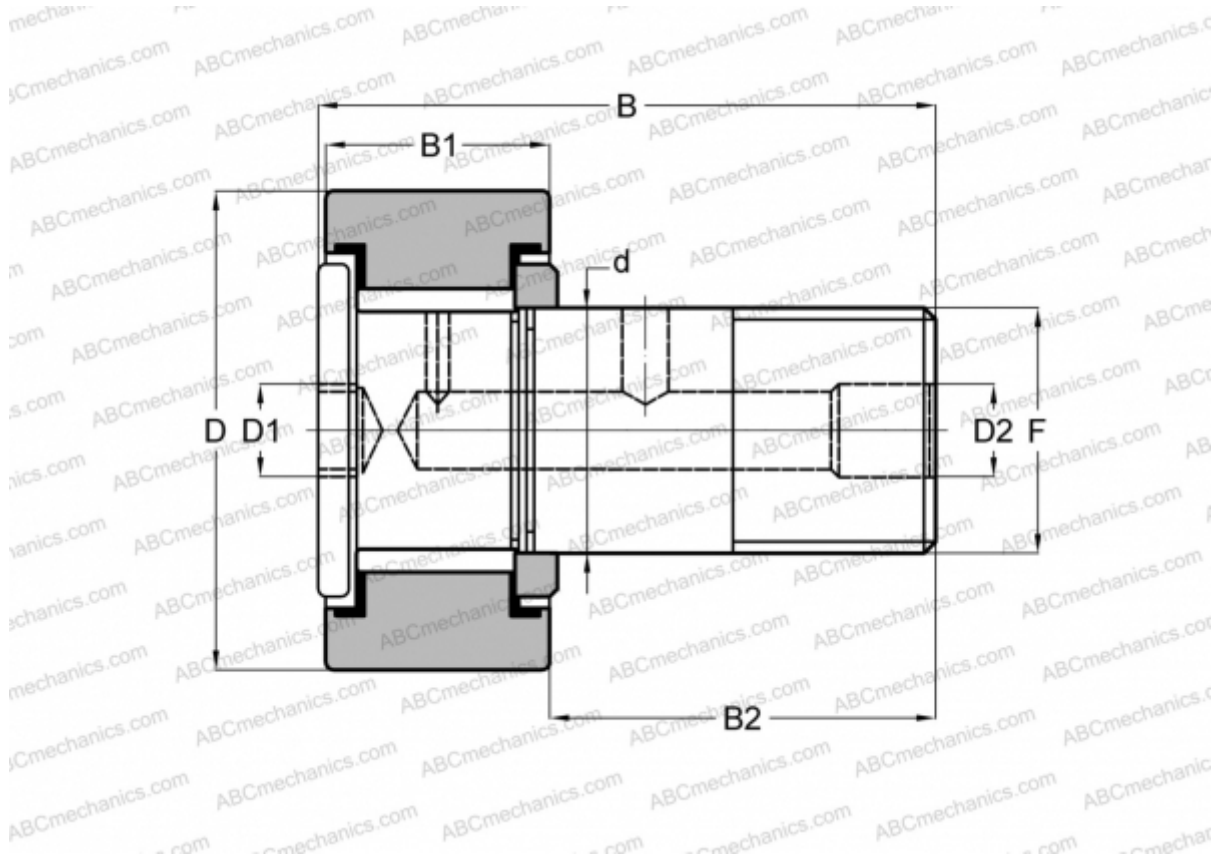


CFH 1 3/8 SB McGill

Cam followers

TYPE: Roller bearings, Stud type track rollers, Heavy duty stud, hex socket, contact seals on both side, cylindrical outer ring, inch size



Technical specification

DIMENSIONS, MM

| | |
|----|--------|
| d | 19,050 |
| D | 34,925 |
| D1 | 6,350 |
| D2 | 4,763 |
| B | 51,593 |
| B1 | 19,050 |
| B2 | 31,750 |
| F | 3/4-16 |

WEIGHT, KG 0,200

MANUFACTURER [McGill](#)

INTERCHANGE

| | |
|------------|--------------------------|
| TORRINGTON | CRHSB 22 |
| RBC | H 44 LW |

INTERCHANGE

SMITH BEARING [HR 1 3/8 XB](#)