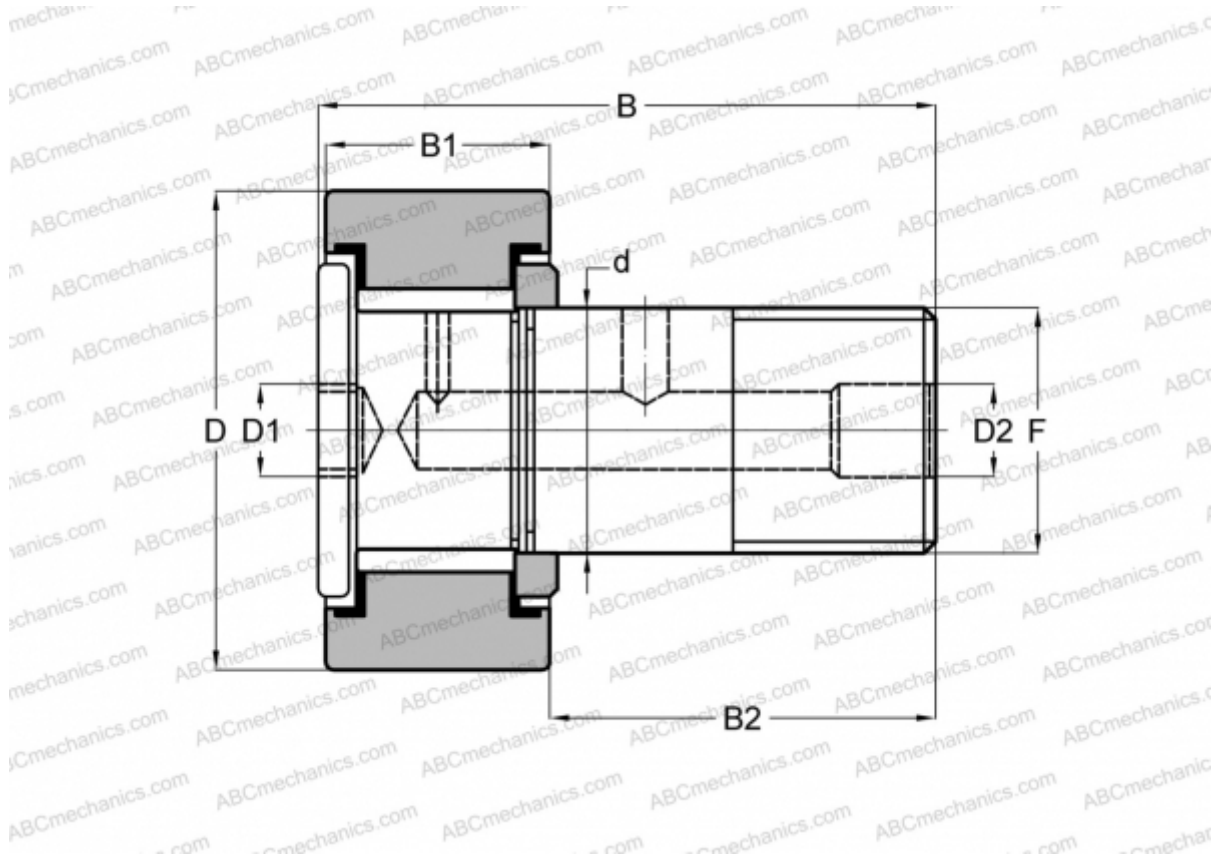


CFH 1 3/4 SB McGill

Cam followers

TYPE: Roller bearings, Stud type track rollers, Heavy duty stud, hex socket, contact seals on both side, cylindrical outer ring, inch size



Technical specification

DIMENSIONS, MM

| | |
|----|--------|
| d | 25,400 |
| D | 44,450 |
| D1 | 7,938 |
| D2 | 4,763 |
| B | 70,643 |
| B1 | 25,400 |
| B2 | 44,450 |
| F | 1-14 |

INTERCHANGE

| | |
|---------------|-----------------------------|
| SMITH BEARING | HR 1 3/4 XB |
|---------------|-----------------------------|

WEIGHT, KG 0,463

MANUFACTURER [McGill](#)

INTERCHANGE

| | |
|------------|--------------------------|
| TORRINGTON | CRHSB 28 |
| RBC | H 56 LW |