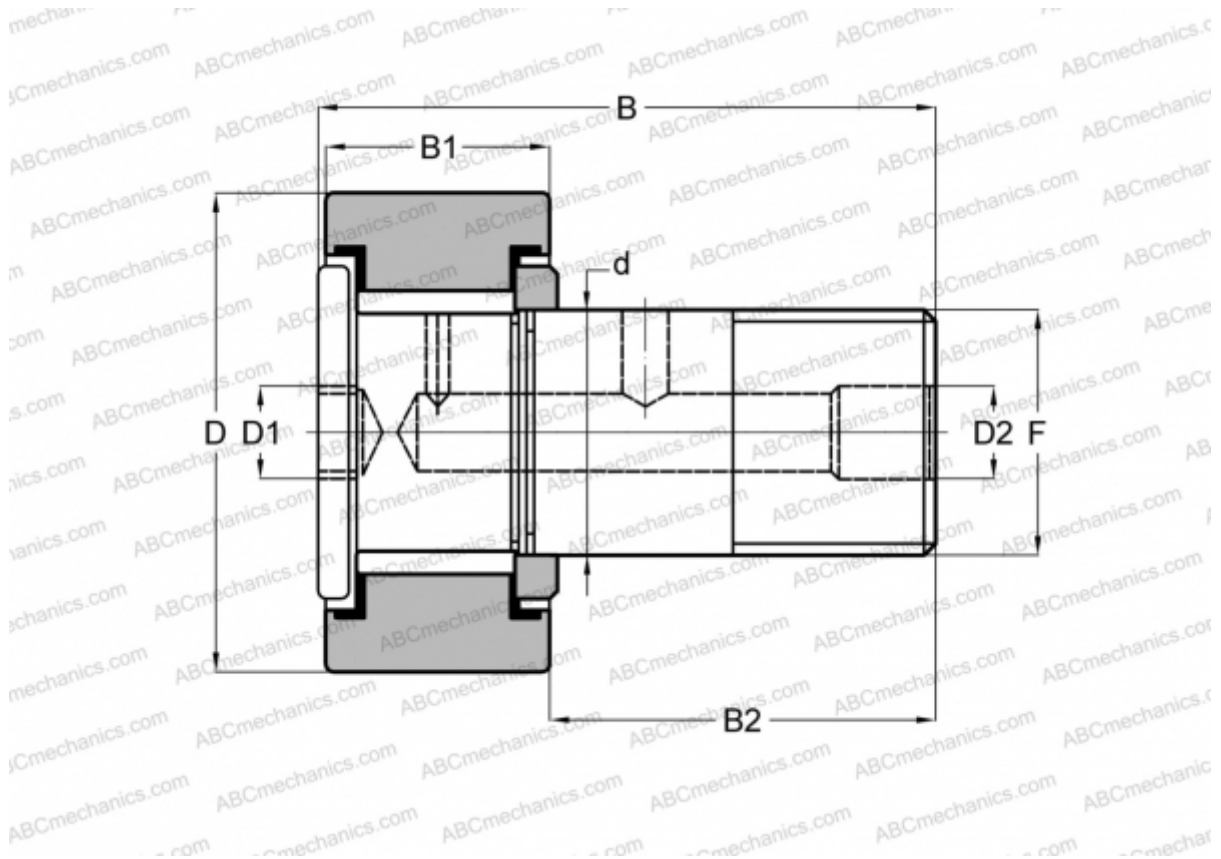


HR 1 3/4 XB SMITH BEARING

Cam followers

TYPE: Roller bearings, Stud type track rollers, Heavy duty stud, hex socket, contact seals on both side, cylindrical outer ring, inch size



Technical specification

DIMENSIONS, MM

d	25,400
D	44,450
D1	7,938
D2	4,763
B	70,643
B1	25,400
B2	44,450
F	1-14

WEIGHT, KG 0,463

MANUFACTURER [SMITH BEARING](#)

INTERCHANGE

TORRINGTON [CRHSB 28](#)
 McGill [CFH 1 3/4 SB](#)

INTERCHANGE

RBC [H 56 LW](#)