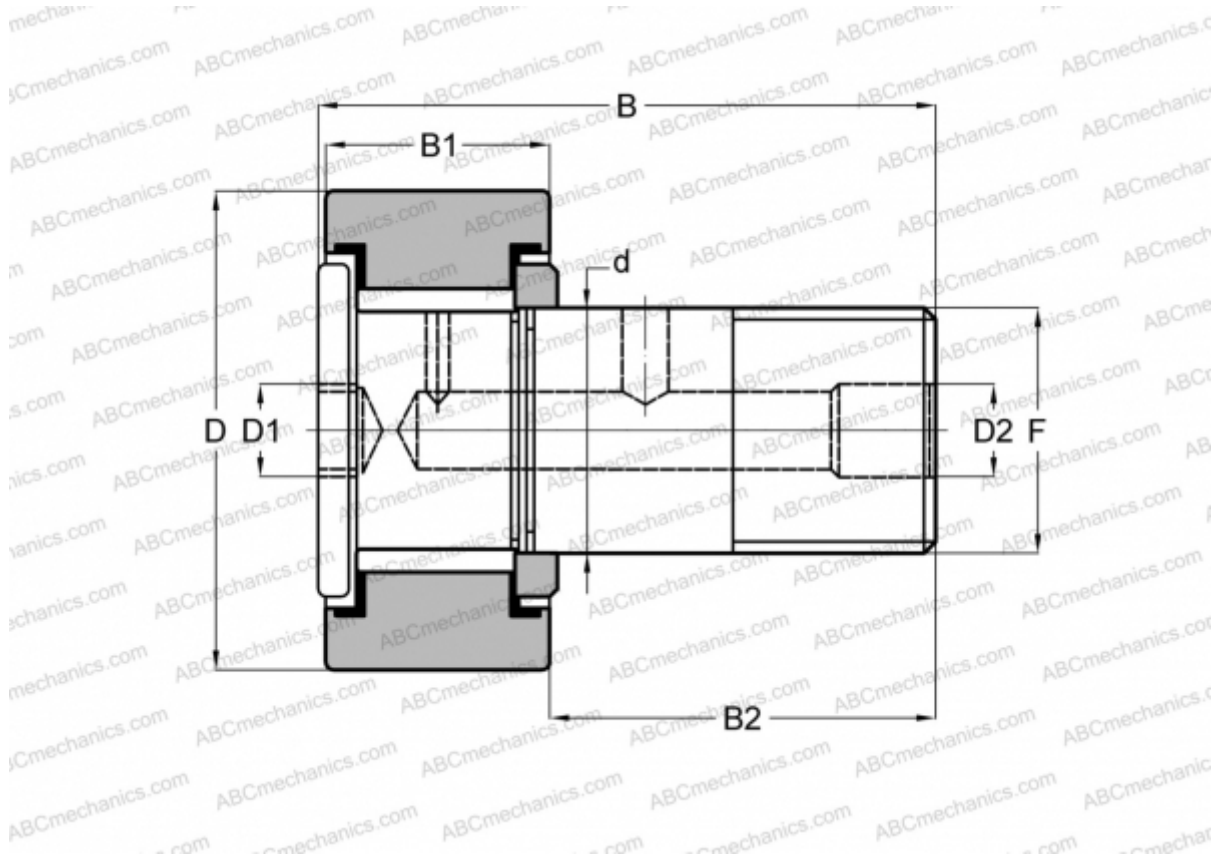


HR 1 7/8 XB SMITH BEARING

Cam followers

TYPE: Roller bearings, Stud type track rollers, Heavy duty stud, hex socket, contact seals on both side, cylindrical outer ring, inch size



Technical specification

DIMENSIONS, MM

d	25,400
D	47,625
D1	7,938
D2	4,763
B	70,643
B1	25,400
B2	44,450
F	1-14

INTERCHANGE

RBC	H 60 LW
-----	-------------------------

WEIGHT, KG 0,508

MANUFACTURER [SMITH BEARING](#)

INTERCHANGE
 TORRINGTON [CRHSB 30](#)
 McGill [CFH 1 7/8 SB](#)